

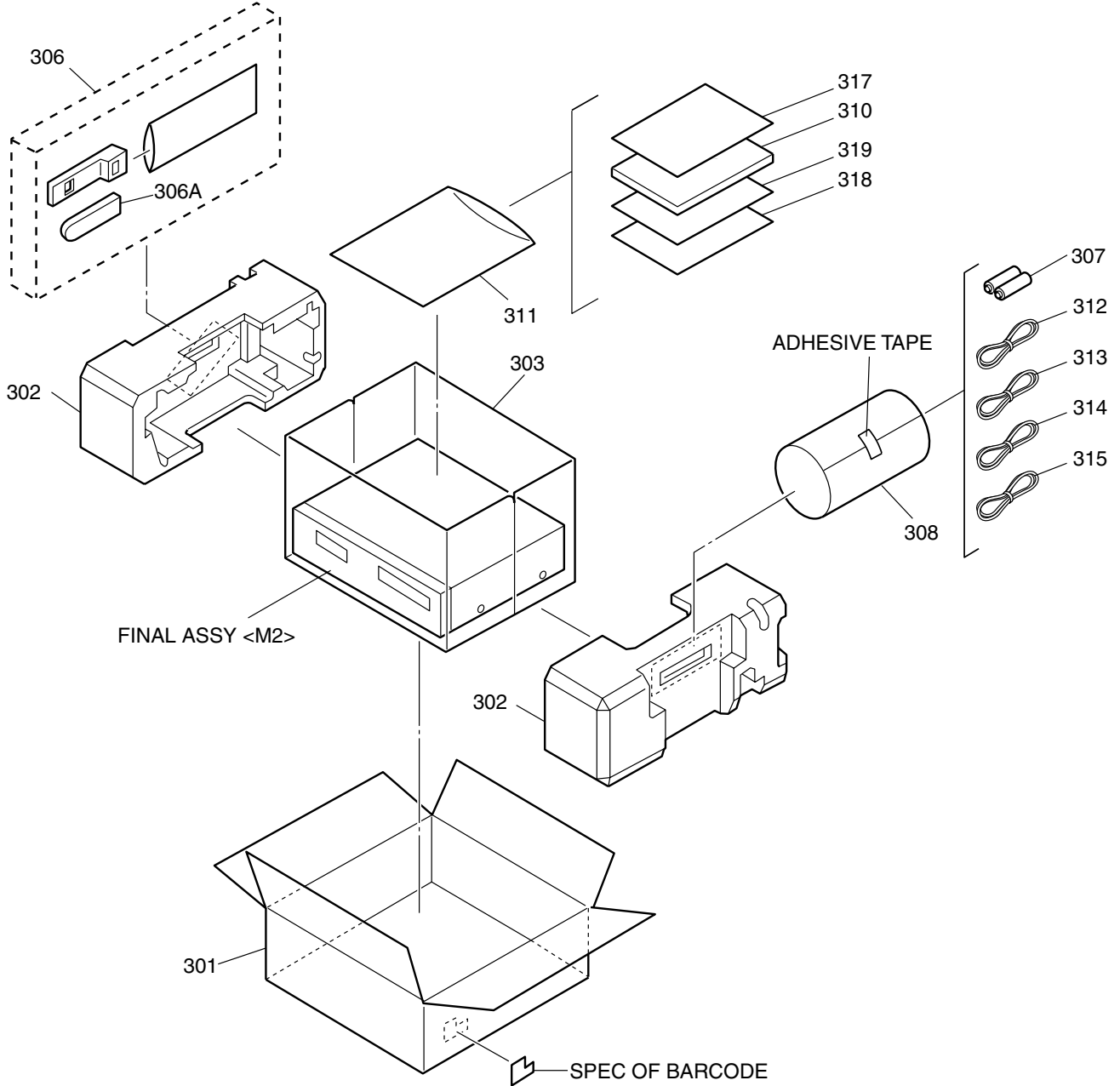
SECTION 5 PARTS LIST

SAFETY PRECAUTION

Parts identified by the \triangle symbol are critical for safety. Replace only with specified part numbers.

5.1 PACKING AND ACCESSORY ASSEMBLY <M1>

The instruction manual to be provided with this product will differ according to the destination.



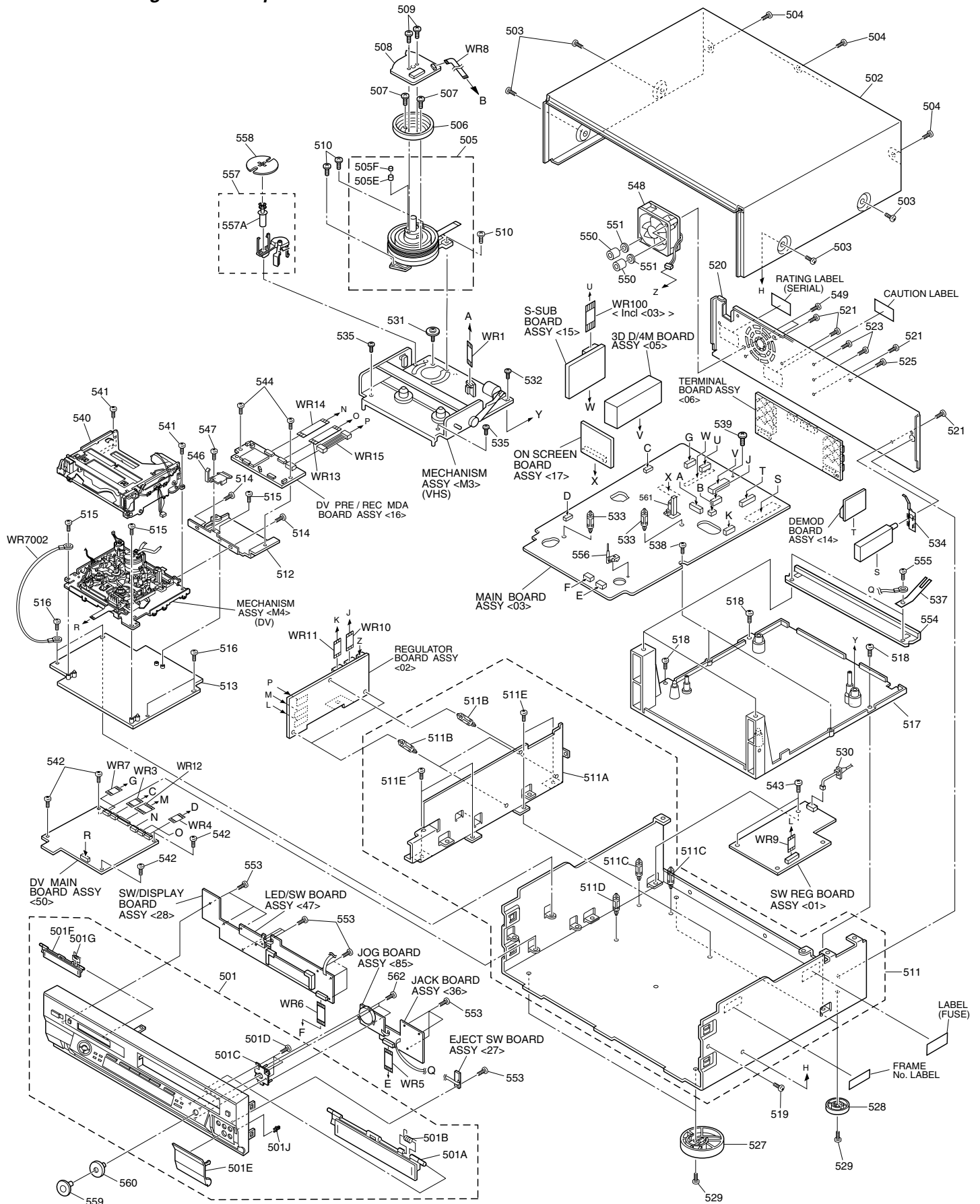
# \triangle	REF No.	PART No.	PART NAME, DESCRIPTION	# \triangle	REF No.	PART No.	PART NAME, DESCRIPTION	

PACKING AND ACCESSORY ASSEMBLY <M1>								
		301	LP30850-003A	PACKING CASE		308	QPC02202230P	POLY BAG
		302	LP30868-001B	CUSHION ASSY	\triangle	310	LPT0575-002A	INST.BOOK(FR)
		303	PQM30021-95	POLY BAG	\triangle		LPT0575-001A	INST.BOOK(EN)
		306	LP20465-012A	REMOTE CONTROLLER		311	QPC02503530P	POLY BAG
		306A	LP40254-009A	COVER(BATTERY)		312	PEAC0294-04	RF CABLE
		307	-	BATTERY,X2("AA"TYPE)		313	QAL0095-005	LED CABLE ASSY (Satellite Controller)
						314	QAM0310-001	CABLE ASSY(AUDIO/VIDEO)
						315	QAM0004-002	S CABLE
						317	BT-51020-2	REGIST.CARD
						318	BT-20071B	SER.NET CARD
						319	PU36560	CONNECTION SHEET

5.2 FINAL ASSEMBLY <M2>

BEWARE OF BOGUS PARTS

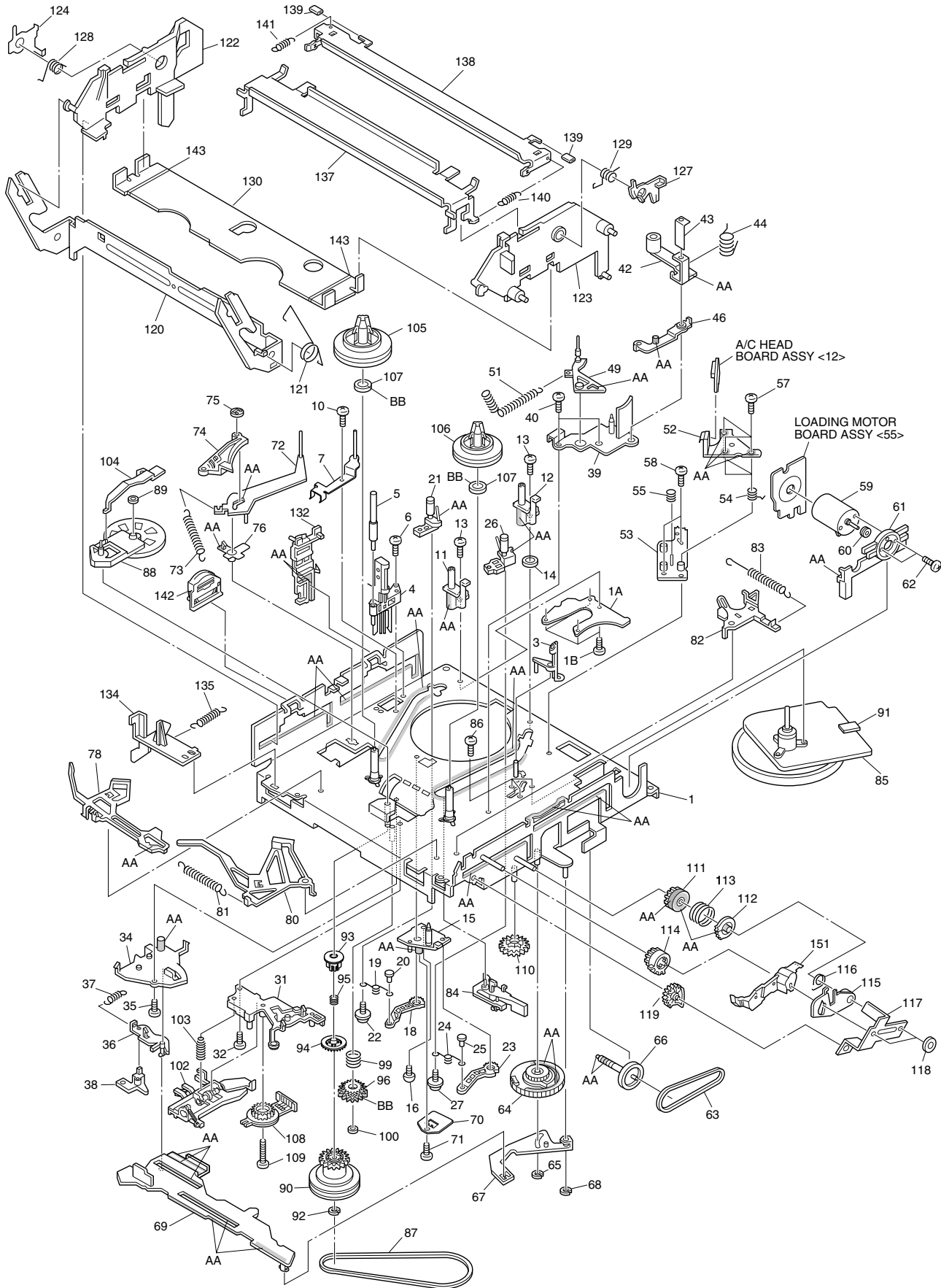
Parts that do not meet specifications may cause trouble in regard to safety and performance. We recommend that genuine JVC parts be used.



#	△	REF No.	PART No.	PART NAME, DESCRIPTION	#	△	REF No.	PART No.	PART NAME, DESCRIPTION

FINAL ASSEMBLY <M2>									
△		501	LP10331-009A	FRONT PANEL ASSY			548	QAR0121-001	FAN MOTOR
		501A	LP20968-002A	CASSETTE DOOR,VHS			549	QYTDSP4030M	SCREW,X2
		501B	PQ46448	TORSION SPRING,VHS			550	QYNNS4000Z	NUT,X2
		501C	LP30757-001A	BASE(J/S)			551	QYWLS4277A0Z	SPRING WASHER,X2
		501D	QYTDSF2608Z	SCREW,X3			553	QYTDSF2606Z	SCREW,X13 FRONT
		501E	LP30763-009A	DOOR(JACK)			554	LP30312-001B	BRACKET(CHASSIS)
		501F	LP30756-001A	CASSETTE DOOR(DV)			555	QYTDSF3010Z	SCREW,X2
		501G	LP40688-001A	SPRING(DV)			556	LP40407-001A	KNOB ASSY
		501J	PU60109	CATCHER			557	LP40370-001E	ROLLER ARM ASSY
△		502	LP10128-006A	TOP COVER			557A	PDM4311A-1	ROLLER ASSY
		503	QYTDST3006R	SCREW,X4 TOP COVER(SIDE)			558	PQ44230	INERTIA PLATE
		504	QYTDST3006M	SCREW,X3 TOP COVER(REAR)			559	LP30760-001B	KNOB(JOG)
		505	LP20617-008A	DRUM SUB ASSY			560	LP30761-001C	KNOB(SHUTTLE)
		505E	LP40323-001A	CONTACT			561	LP40253-001B	STOPPER
		505F	LP30004-014A	COMPRESSION SPRING			562	QYTDSF2606Z	SCREW,X3 JOG
		506	PDZ0179-1-4	ROTOR ASSY			WR1	WJT0005-002A	E-CARD WIRE,A/C HEAD CN2001
		507	QYSPSP3006Z	SCREW,X2			WR3	QUQ210-0830CC	FFC WIRE,DV MAIN CN2601
△		508	QAR0119-001	STATOR ASSY			WR4	QUQ210-0620CC	FFC WIRE,DV MAIN CN3014
		509	QYSPSPH2606Z	SCREW,X2			WR5	QUQ112-1610CG	FFC WIRE,FRONT CN7507
		510	QYTDST2610Z	SCREW,X3 DRUM			WR6	QUQ112-1810CG	FFC WIRE,FRONT CN3011
△		511	LP10156-003B	BOTTOM CHASSIS ASSY			WR7	QJN019-063411	SHI CR C-C WIRE,DV MAIN CN703
		511A	LP10130-002B	BRACKET(1)			WR8	QUQ212-0516CG	FFC WIRE,DRUM CN3001
		511B	PEME0834	SPACER (BOARD),X3			WR9	QUQ212-1910CG	FFC WIRE,SW/REG CN5301
		511C	LP40696-001A	HOLDER(BOARD),X2			WR10	QUQ212-1128CG	FFC WIRE,REG CN7508
		511D	LP40696-002A	HOLDER(BOARD)			WR11	QUQ212-1336CG	FFC WIRE,REG CN7509
		511E	QYTDST3006Z	SCREW,X4			WR12	QJJ001-101400	SIN CR C-C WIRE,DV MAIN CN532
		512	LP30352-001B	BRACKET(DV),MECHA			WR13	QUQ105-2010AA	FFC WIRE,DV PRE/REC CN1501
		513	LP20359-001B	BASE(2),DV MECHA			WR14	QUQ105-2610AA	FFC WIRE,DV PRE/REC CN2001
		514	QYTDST2004Z	SCREW,X2 DV MECHA			WR15	QJJ001-051100	SIN CR C-C WIRE,DV PRE/REC CN5324
		515	QYTDSF2606Z	SCREW,X3 DV MECHA			WR7002	QUB220-05XLXL	SIN TWIST WIRE
		516	QYTDST3006Z	SCREW,X4 BASE(2)					
		517	LP20939-001C	BASE(1),VHS					
		518	QYTDST3006Z	SCREW,X3 BASE(1)					
		519	QYTDSF3010Z	SCREW,BOTTOM CHASSIS					
△		520	LP10339-003A	REAR COVER					
		521	QYTDST3006M	SCREW,X4 REAR COVER					
		523	QYTDSF3008M	SCREW,X2 RCA					
		525	QYTDSF3008M	SCREW,S JACK					
		527	PQ46617C	FOOT ASSY,X2					
		528	PQ35504	FOOT(2),X2					
		529	QYTDST3006Z	SCREW,X4					
△		530	QMPD190-170-K	POWER CORD					
		531	PQ40413	SPECIAL SCREW,VHS MECHA					
		532	QYTDSF4012Z	SCREW,MECHA					
		533	LP40226-001A	PC SUPPORT,X2					
		534	PQ21623-2-5	EARTH PLATE(RF)					
		535	QYTDSF3010Z	SCREW,X2 VHS MECHA					
		537	PQ41556	EARTH PLATE					
		538	QYTDSF3010Z	SCREW,X2 VHS MAIN					
		539	QYTDST3006Z	SCREW,VHS MAIN					
		540	LY30428-004A	CASSETTE HOUSING ASSY,DV					
		541	QYTDSP2004Z	SCREW,X2					
		542	QYTDST3006Z	SCREW,X4 DV MAIN					
		543	QYTDST3006Z	SCREW,X2 SW.RWG					
		544	QYTDST3006Z	SCREW,X2 PRE/REC MDA					
		546	LP30553-001A	EARTH PLATE					
		547	QYTDST2004Z	SCREW,DV CASS.HOUSING					

5.3 MECHANISM ASSEMBLY (VHS) <M3>



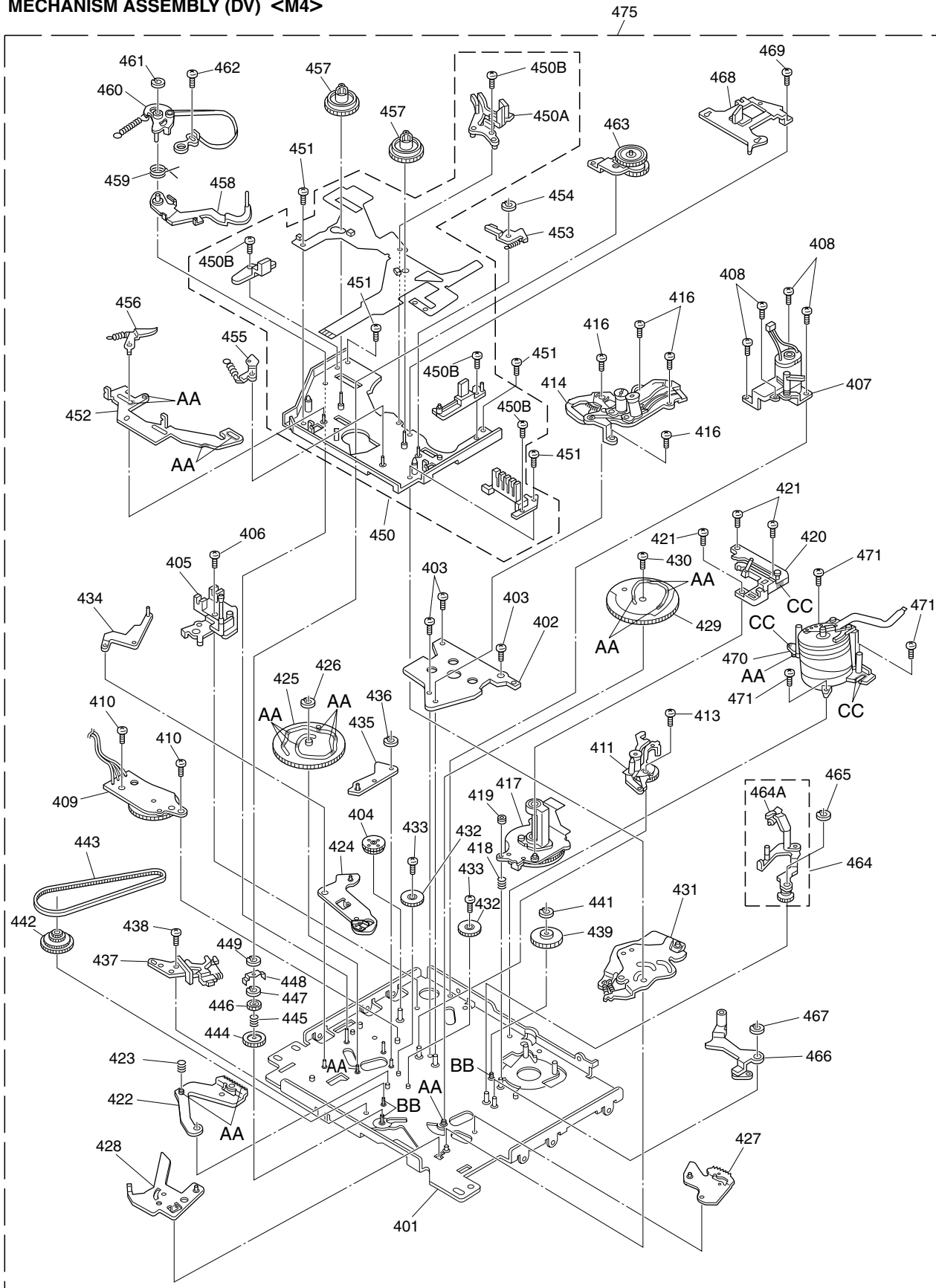
Classification	Part No.	Symbol in drawing
Grease	KYODO-SH-P	AA
Oil	COSMO-HV56	BB

NOTE: This section indicates that the grease and oil are to be applied on locations marked with AA and BB. During checking and servicing, check if grease has been applied on the locations marked with AA and oil on the locations marked with BB.

#	△	REF No.	PART No.	PART NAME, DESCRIPTION	#	△	REF No.	PART No.	PART NAME, DESCRIPTION

MECHANISM ASSEMBLY(VHS) <M3>									
1			LP20821-002F	MAIN DECK ASSY	73			LP30003-010A	TENSION SPRING
1A			LP40275-004B	PLATE(SUPPLY)	74			LP40109-003D	TENSION BRAKE ASSY
1B			QYTDST2605Z	SCREW,X4	75			PQ46302-1-3	ADJUST PIN
3			LP30492-002B	GIDE POLE GUARD	76			LP30232-002A	TENSION ARM BEARING
4			NAH0001-001	FULL ERASE HEAD	78			LP40532-009B	MAIN BRAKE ASSY (SUPPLY)
5			LP40098-001B	GUIDE POLE(SUPPLY)	80			LP40111-014C	MAIN BRAKE ASSY (TAKE UP)
6			QYTDST2608Z	SCREW	81			LP30003-029A	TENSION SPRING
7			LP40637-002A	TENSION STUD BASE ASSY	82			LP40112-001F	SUB BRAKE ASSY(TAKE UP)
10			QYTDST2606Z	SCREW	83			LP40357-001B	TENSION SPRING
11			LP30409-002C	UV CATCHER 2(SUPPLY)	84			LP40461-001A	CAPSTAN BRAKE ASSY
12			LP30409-002C	UV CATCHER 2(TAKE UP)	85			QAR0132-001	CAPSTAN MOTOR
13			QYTPST2606Z	SCREW,X2	86			QYTDSF2606M	SCREW,X3
14			PQ40919-10	SPACER	87			LP30005-008A	BELT,CAPSTAN MOTOR
15			LP30223-003C	LOADING ARM GEAR SHAFT	88			LP40114-011B	IDLER ARM ASSY
16			QYTDST2606Z	SCREW	89			LP30016-001A	SLIT WASHER
18			LP30224-001B	LOADING ARM GEAR(SUPPLY)	90			LP40593-003B	CLUTCH UNIT 3
19			LP40099-001A	TORSION ARM	91			LP30002-097A	SPACER
20			LP40100-001A	PIN	92			PQM30017-47	SLIT WASHER
21			LP40101-006A	POLE BASE ASSY(SUPPLY)	93			LP30696-002A	CLUTCH GEAR 4
22			QYSPSTG2606Z	SCREW	94			LP30697-003A	COUPLING GEAR
23			LP40103-002B	LOADING ARM GEAR(TAKE UP)	95			LP40554-002A	COMPRESSION SPRING
24			LP40099-001A	TORSION ARM	96			LP40442-001A	DIRECT GEAR
25			LP40100-001A	PIN	99			LP40483-002A	COMPRESSION SPRING
26			LP40104-006A	POLE BASE ASSY(TAKE UP)	100			LP30016-001A	SLIT WASHER
27			QYSPSTG2606Z	SCREW	102			LP40484-003B	CHANGE LEVER ASSY
31			LP20233-004B	ROTARY ENCODER GUIDE	103			LP40512-002B	COMPRESSION SPRING
32			QYTPST2606Z	SCREW	104			LP30236-002C	IDLER LEVER
34			LP30226-004E	CONTROL PLATE GUIDE	105			LP20237-003B	REEL DISK ASSY(SUPPLY)
35			QYTPST2605Z	SCREW	106			LP20238-003B	REEL DISK ASSY(TAKE UP)
36			LP30249-003B	TAKE UP LEVER	107			LP30017-015A	SPACER,X2
37			LP30003-006A	TENSION SPRING	108			QSW0554-003	ROTARY ENCODER
38			LP40119-002A	T.UP HEAD	109			LP40746-001A	SPECIAL SCREW
39			LP20234-004B	LID GUIDE	110			LP30237-002B	CASSETTE GEAR
40			QYTDST2606Z	SCREW,X2	111			LP30239-002G	LIMIT GEAR(1)
42			LP40105-003A	PINCH ROLLER ARM ASSY	112			LP30240-002G	LIMIT GEAR(2)
43			LP40753-001A	PINCH ROLLER SHEET 3	113			LP40136-001E	TORSION SPRING
44			LP40148-002A	TORSION SPRING	114			LP30242-002A	RELAY GEAR
46			LP40149-001C	PRESS LEVER ASSY	115			LP30339-002E	OPENER GUIDE
49			LP40106-007A	GUIDE ARM ASSY	116			LP40545-001A	TORSION SPRING
51			LP40134-001C	TENSION SPRING	117			LP40214-001B	C.H.BRACKET
52			QAH0010-004	AC HEAD	118			PQM30017-47	SLIT WASHER,X2
53			LP30228-001A	HEAD BASE	119			LP30243-001D	DRIVE GEAR
54			LP30004-013A	COMPRESSION SPRING,X3	120			LP20240-001G	DRIVE ARM
55			LP40236-001A	COMPRESSION SPRING	121			LP40137-001A	TORSION SPRING
57			LP40213-002B	SPECIAL SCREW,X3	122			LP10081-002L	SIDE HOLDER(L)
58			QYTDST2608Z	SCREW,X2	123			LP10082-002M	SIDE HOLDER(R)
59			QAR0023-001	LOADING MOTOR	124			LP30255-006A	LOCK LEVER(L)
60			PQ43546-1-2	MOTOR PULLEY	127			LP30256-001H	LOCK LEVER(R)
61			LP30230-001B	MOTOR GUIDE	128			LP40168-003A	TORSION SPRING(L)
62			QYTPSP3003Z	SCREW,X2	129			LP40218-001B	TORSION SPRING(R)
63			LP30005-003A	BELT,LOADING MOTOR	130			LP30257-001G	CASSETTE HOLDER
64			LP20791-002D	CONTROL CAM	132			LP30244-002G	GUIDE RAIL
65			PQM30017-24	SLIT WASHER	134			LP30245-002F	REC SAFETY LEVER
66			LP40120-001A	WORM GEAR	135			LP30003-004A	TENSION SPRING
67			LP40107-002A	LINK LEVER ASSY	137			LP20578-001C	TOP GUIDE
68			PQM30017-24	SLIT WASHER	138			LP30500-001C	HOLD PLATE
69			LP10284-002E	CONTROL PLATE	139			LP40450-003A	PAD,X2
70			LP40379-001B	CONTROL BRACKET(1)	140			LP30003-025B	TENSION SPRING
71			QYTDSF2608M	SCREW	141			LP30003-024A	TENSION SPRING
72			LP40108-002A	TENSION ARM ASSY	142			LP40481-003A	ROLLER CAM ASSY
					143			LP30019-014A	PAD,X2
					151			LP20324-003B	DOOR OPENER

5.4 MECHANISM ASSEMBLY (DV) <M4>



Classification	Part No.	Symbol in drawing
Grease	KYODO-SH-P	AA
Oil	YTU94027	BB
Grease	RX-410R	CC

- NOTES:**
- This section indicates that the grease and oil are to be applied on locations marked with AA, BB and CC. During checking and servicing, check if grease has been applied on the locations marked with AA, CC and oil on the locations marked with BB.
 - Apply also grease and oil on some locations in the main cam gear and the cam groove at the rear side of the sub cam gear.

#	△	REF No.	PART No.	PART NAME, DESCRIPTION	#	△	REF No.	PART No.	PART NAME, DESCRIPTION

MECHANISM ASSEMBLY(DV) <M4>									
401			LY10062-001B	MAIN DECK ASSY	460			LY41246-001C	BAND ARM PLATE SUB ASSY
402			LY30358-001A	DRUM BASE DECK	461			YQ44246-3	SLIT WASHER
403			YQ43893	MINI SCREW,X3	462			YQ43893-7	MINI SCREW
404			LY30343-001A	WORM WHEEL 2	463			LY30370-001F	SWING ARM ASSY
405			LY40237-001C	ENT.GUIDE BASE ASSY	464			LY30380-001D	EXIT GUIDE ARM ASSY
406			YQ43893	MINI SCREW	464A			LY41250-001A	CLEANER ARM ASSY
407			LY30340-001C	MOTOR BRACKET ASSY	465			YQ44246	SLIT WASHER
408			YQ43893	MINI SCREW,X4	466			LY30374-001B	PINCH ROLLER ARM ASSY
409			LY41190-001B	ROTARY ENCODER ASSY	467			YQ44246	SLIT WASHER
410			YQ43893	MINI SCREW,X2	468			LY40280-001B	REEL COVER ASSY
411			YQ31873B-30	GUIDE RAIL ASSY(SUPPLY)	469			YQ43893	MINI SCREW
413			YQ43893	MINI SCREW	470			YDV2089B	DRUM ASSY
414			LY20097-001C	GUIDE RAIL ASSY(TAKE UP)	471			YQ43893	MINI SCREW,X3
416			YQ43893	MINI SCREW,X4	475			YMA0024D	MECHA ASSY(A)
417			QAR0012-002	CAPSTAN MOTOR					
418			LY30002-003A	COMPRESSION SPRING					
419			LY41390-001A	ADJUST NUT					
420			LY30345-001A	MIDDLE CATCHER ASSY					
421			YQ43893	MINI SCREW,X3					
422			LY40223-001A	ARM GEAR 1 ASSY					
423			LY40224-001A	COLLAR					
424			LY40235-002B	CENTERRING ARM ASSY					
425			LY10060-002A	MAIN CAM					
426			YQ44246	SLIT WASHER					
427			LY40279-001A	ARM GEAR 2 ASSY					
428			LY40228-001A	CLUTCH LOCK LEVER ASSY					
429			LY20102-001A	SUB CAM					
430			YQ43893	MINI SCREW					
431			LY30347-001A	CHARGE ARM ASSY					
432			YQ44560-1-2	CONNECT GEAR 2					
433			YQ43893	MINI SCREW,X2					
434			LY40236-001A	TENSION CONTROL ARM ASSY					
435			LY40233-001A	BRAKE CONTROL ARM ASSY					
436			YQ44246	SLIT WASHER					
437			LY40242-001C	BASE PLATE ASSY					
438			YQ43893	MINI SCREW					
439			YQ43931A	REEL DRIVE PULLEY ASSY					
441			YQ44246	SLIT WASHER					
442			LY40239-001B	CENTER GEAR ASSY					
443			LY40241-001A	TIMING BELT					
444			LY40246-001A	CLUTCH LOCK GEAR (1)					
445			LY30002-009A	COMPRESSION SPRING					
446			LY40247-001A	CLUCH LOCK GEAR (2)					
447			YQ43933-2	WASHER					
448			LY40248-001A	PUSH PLATE					
449			YQ44246	SLIT WASHER					
450			LYH30012-001B	SUB DECK ASSY(G)					
450A			LY20108-001B	PRISM					
450B			YQ43893	MINI SCREW					
451			YQ43893	MINI SCREW,X4					
452			LY20109-001B	CONTROL PLATE					
453			LY40257-001A	SUB BRAKE ASSY					
454			YQ44246	SLIT WASHER					
455			LY40259-001A	MAIN BRAKE ASSY(TAKE UP)					
456			LY40260-001B	MAIN BRAKE ASSY(SUPPLY)					
457			LY40255-001A	REEL DISK ASSY,X2					
458			LY41245-001B	TENSION ARM SUB ASSY					
459			LY41243-001A	TORSION SPRING					

5.5 ELECTRICAL PARTS LIST

#	△ REF No.	PART No.	PART NAME, DESCRIPTION

SW REGULATOR BOARD ASSEMBLY <01>			
PW1		LPA10119-04A1	SW.REG BOARD ASSY
IC5101		STR-F6552	IC
IC5301		L5431	IC
		or MM1431AT	IC
Q5301		2SD1819A/RS/-X	TRANSISTOR
		or 2PC4081/R/-X	TRANSISTOR
		or 2SC4081/RS/-X	TRANSISTOR
Q5302		DTA114EU	TRANSISTOR
		or PDTA114EU	TRANSISTOR
		or RN2302	TRANSISTOR
		or UN5111	TRANSISTOR
D5001		RBV-404	DIODE
D5101		AU01	FR DIODE
		or ERA18-04-T2	FR DIODE
		or 1SR153-400-T2	FR DIODE
		or 10ELS4	FR DIODE
D5102		AU01Z	FR DIODE
		or ERA18-02-T2	FR DIODE
		or PG104RS	FR DIODE
		or 1SR153-400-T2	FR DIODE
		or 10ELS2	FR DIODE
D5103		1SS133	DIODE
		or 1SS270A	DIODE
D5104		AU01	FR DIODE
		or ERA18-04-T2	FR DIODE
		or 1SR153-400-T2	FR DIODE
		or 10ELS4	FR DIODE
D5201		AK04	DIODE
		or 1S4	SB DIODE
		or 11EQS04	SB DIODE
D5202		FML-12S	FR DIODE
		or FCF06A20	FR DIODE
		or ER602FCT	FR DIODE
		or SF5LC20U	FR DIODE
		or YG901C2	FR DIODE
D5204		1SR153-400-T2	FR DIODE
		or PG104RS	FR DIODE
		or 10ELS2	FR DIODE
		or ERA18-02-T2	FR DIODE
D5206		FMB-24	BARRIER DIODE
		or FSQ05A04B	SB DIODE
		or SB640FCT	SB DIODE
		or SF5SC4	SB DIODE
		or YG801C04	SB DIODE
D5207		FMB-24	BARRIER DIODE
		or FSQ05A04B	SB DIODE
		or SB640FCT	SB DIODE
		or SF5SC4	SB DIODE
		or YG801C04	SB DIODE
D5208		AK04	DIODE
		or 1S4	SB DIODE
		or 11EQS04	SB DIODE
D5210		AU01Z	FR DIODE
		or PG104RS	FR DIODE
		or 1SR153-400-T2	FR DIODE
		or 10ELS2	FR DIODE
		or ERA18-02-T2	FR DIODE

#	△ REF No.	PART No.	PART NAME, DESCRIPTION
D5211		AU01Z	FR DIODE
		or ERA18-02-T2	FR DIODE
		or PG104RS	FR DIODE
		or 1SR153-400-T2	FR DIODE
		or 10ELS2	FR DIODE
D5301		MTZJ15A	ZENER DIODE
		or RD15ES/B1/-T2	ZENER DIODE
D5303		MTZJ7.5A	ZENER DIODE
		or RD7.5ES/B1/-T2	ZENER DIODE
D5304		1SS133	DIODE
		or 1SS270A	DIODE
D5305		MTZJ27C	ZENER DIODE
		or RD27ES/B3/-T2	ZENER DIODE
D5306		MTZJ2.7B	ZENER DIODE
		or RD2.7ES/B2/-T2	ZENER DIODE
D5307		1SS133	DIODE
		or 1SS270A	DIODE
D5308		1SS133	DIODE
		or 1SS270A	DIODE
D5310		1SS133	DIODE
		or 1SS270A	DIODE
D5311		1SS133	DIODE
		or 1SS270A	DIODE
D5312		1SS133	DIODE
		or 1SS270A	DIODE
△ R5001		QRZ9046-475Z	RESISTOR
			4.7MΩ,1/2W
R5101		QRG02GJ-683	OMF RESISTOR
			68kΩ,2W
R5102		QRE141J-1R0Y	RESISTOR
			1Ω,1/4W
R5103		NRSA02J-332X	MG RESISTOR
			3.3kΩ,1/10W
R5104		QRE141J-681Y	RESISTOR
			680Ω,1/4W
R5105		QRT01DJ-R47X	MF RESISTOR
			0.47Ω,1W
R5106		QRG02GJ-683	OMF RESISTOR
			68kΩ,2W
R5302		NRSA02J-472X	MG RESISTOR
			4.7kΩ,1/10W
R5303		NRVA02D-123X	CMF RESISTOR
			12kΩ,1/10W
R5304		NRVA02D-302X	CMF RESISTOR
			3kΩ,1/10W
R5305		NRSA02J-223X	MG RESISTOR
			22kΩ,1/10W
△ R5306		QRZ9005-470X	FUSI RESISTOR
			47Ω,1/4W
R5307		NRSA02J-221X	MG RESISTOR
			220Ω,1/10W
R5308		NRSA02J-102X	MG RESISTOR
			1kΩ,1/10W
R5309		NRSA02J-122X	MG RESISTOR
			1.2kΩ,1/10W
R5310		QRL02DJ-821X	OMF RESISTOR
			820Ω,2W
R5311		NRSA02J-473X	MG RESISTOR
			47kΩ,1/10W
R5313		NRSA02J-561X	MG RESISTOR
			560Ω,1/10W
R5314		NRSA02J-103X	MG RESISTOR
			10kΩ,1/10W
R5316		NRSA02J-102X	MG RESISTOR
			1kΩ,1/10W
R5317		NRSA02J-333X	MG RESISTOR
			33kΩ,1/10W
B5001		QUY160-100Y	IM BUS WIRE
B5002		QUY160-100Y	IM BUS WIRE
B5003		QUY160-100Y	IM BUS WIRE
△ C5001		QFZ9073-683	F CAPACITOR
			0.068μF,250V
△ C5002		QFZ9051-223	F CAPACITOR
			0.022μF,250V
△ C5004		QCZ9094-472	CAPACITOR
			0.0047μF,125V
C5006		QEZ0516-337	E CAPACITOR
			330μF,200V
C5102		QEMU1VM-276	E CAPACITOR
			27μF,35V
C5103		QCZ0136-471Z	CAPACITOR
			470pF,1kV
C5104		QFLC1HJ-471Z	F CAPACITOR
			470pF,50V
C5105		NCB21EK-333X	CAPACITOR
			0.033μF,25V
C5106		QCZ0212-472	CAPACITOR
			0.0047μF,1kV
C5201		QEMU0JM-227	E CAPACITOR
			220μF,6.3V
C5202		QEMT1CM-827	E CAPACITOR
			820μF,16V
C5203		QETN1CM-227	E CAPACITOR
			220μF,16V

#	△	REF No.	PART No.	PART NAME, DESCRIPTION	#	△	REF No.	PART No.	PART NAME, DESCRIPTION	
			C5204	QEMT1AM-228	E CAPACITOR			Q5332	DTC114EU	TRANSISTOR
			C5205	QETN1AM-227	E CAPACITOR				or PDTC114EU	TRANSISTOR
			C5206	QEMU1EM-187	E CAPACITOR				or UN5211	TRANSISTOR
			C5207	QETN2AM-475	E CAPACITOR				or RN1302	TRANSISTOR
			C5208	QEMU1HM-186	E CAPACITOR			Q5335	2SB1256	TRANSISTOR
			C5210	QEMT1AM-687	E CAPACITOR			Q5336	DTC114TU	TRANSISTOR
			C5211	QETN1AM-227	E CAPACITOR				or UN5215	TRANSISTOR
			C5212	QEMT1AM-687	E CAPACITOR			Q5341	DTC114EU	TRANSISTOR
			C5213	QETN1AM-227	E CAPACITOR				or PDTC114EU	TRANSISTOR
			C5301	QFLC1HJ-103Z	F CAPACITOR				or RN1302	TRANSISTOR
			C5302	QFLC1HJ-473Z	F CAPACITOR				or UN5211	TRANSISTOR
			C5303	QFLC1HJ-333Z	F CAPACITOR			D5323	11ES2	DIODE
			C5304	QETN1EM-476	E CAPACITOR				or ERA15-02-T2	DIODE
			C5305	QFLC1HJ-103Z	F CAPACITOR				or 1A3G	DIODE
			L5201	PELN1184	COIL			D5324	11ES2	DIODE
			L5202	PU60944-330K	COIL				or ERA15-02-T2	DIODE
			L5203	PELN1184	COIL				or 1A3G	DIODE
			L5205	PELN1184	COIL			D5325	RD5.1JS/B2/-T2	ZENER DIODE
			K5101	QQR0678-001Z	FERRITE BEAD				or MA4051N/M/-T2	ZENER DIODE
△			PC5101	PC817X	IC(PHOTO COUPLER)			D5326	1SS133	DIODE
△			T5001	QQS0092-001	SW TRANSFORMER				or 1SS270A	DIODE
			HS2	LP40515-001B	HEAT SINK,D5206			D5327	RD5.1JS/B2/-T2	ZENER DIODE
			ST2	PU59391	STYLE PIN				or MA4051N/M/-T2	ZENER DIODE
			OT1	QYTDST3008Z	SCREW,D5206			D5328	1SS133	DIODE
			FC5001	QNG0006-001Z	FUSE CLIP,F5001				or 1SS270A	DIODE
			FC5002	QNG0006-001Z	FUSE CLIP,F5001			D5329	1SS133	DIODE
△			LF5002	QQR0908-001	LINE FILTER				or 1SS270A	DIODE
△			CN5001	QGA7901C3-02	CONNECTOR,(1-2)AC IN			D5330	1SS133	DIODE
			CN5201	QGF1208C1-19	FPC CONNECTOR,(1-19)REG				or 1SS270A	DIODE
△			CP5301	ICP-N25	CIRCUIT PROTECTOR			D5331	1SS133	DIODE
△			F5001	QMF51N2-2R0J1	FUSE	T2.0A,AC250V			or 1SS270A	DIODE

REGULATOR BOARD ASSEMBLY <02>

			PW2	LPA10119-04A2	REG BOARD ASSY			D5337	MTZJ12A	ZENER DIODE	
			IC5321	PQ15RW11	IC				or RD12ES/B1/-T2	ZENER DIODE	
			Q5321	2SD2528/QP/	TRANSISTOR			R5322	NRSA02J-471X	MG RESISTOR	470Ω,1/10W
			Q5322	2SD1819A/RS/-X	TRANSISTOR			R5323	NRSA02J-471X	MG RESISTOR	470Ω,1/10W
				or 2PC4081/R/-X	TRANSISTOR			R5324	NRSA02J-102X	MG RESISTOR	1kΩ,1/10W
				or 2SC4081/RS/-X	TRANSISTOR			R5325	NRSA02J-103X	MG RESISTOR	10kΩ,1/10W
			Q5323	2SA933AS/RS/-T	TRANSISTOR			R5326	NRSA02J-471X	MG RESISTOR	470Ω,1/10W
				or 2SA1267/YG/-T	TRANSISTOR			R5327	NRSA02J-471X	MG RESISTOR	470Ω,1/10W
			Q5324	DTC114EU	TRANSISTOR			R5328	NRSA02J-102X	MG RESISTOR	1kΩ,1/10W
				or RN1302	TRANSISTOR			R5329	NRSA02J-103X	MG RESISTOR	10kΩ,1/10W
				or UN5211	TRANSISTOR			R5330	NRSA02J-471X	MG RESISTOR	470Ω,1/10W
				or PDTC114EU	TRANSISTOR			R5331	NRSA02J-473X	MG RESISTOR	47kΩ,1/10W
			Q5326	2SD2375/QP/	TRANSISTOR			R5332	NRSA02J-103X	MG RESISTOR	10kΩ,1/10W
			Q5327	2SD1819A/RS/-X	TRANSISTOR			R5333	NRSA02J-102X	MG RESISTOR	1kΩ,1/10W
				or 2SC4081/RS/-X	TRANSISTOR			R5336	NRVA02D-472X	CMF RESISTOR	4.7kΩ,1/10W
				or 2PC4081/R/-X	TRANSISTOR			R5337	NRVA02D-102X	CMF RESISTOR	1kΩ,1/10W
			Q5328	2SD1302/ST/-T	TRANSISTOR			R5338	NRSA02J-103X	MG RESISTOR	10kΩ,1/10W
				or 2SD1450/ST/-T	TRANSISTOR			R5339	NRSA02J-102X	MG RESISTOR	1kΩ,1/10W
			Q5329	DTA114EU	TRANSISTOR			R5340	QRL01DJ-101X	OMF RESISTOR	100Ω,1W
				or RN2302	TRANSISTOR			R5345	NRSA02J-472X	MG RESISTOR	4.7kΩ,1/10W
				or UN5111	TRANSISTOR			R5346	NRSA02J-222X	MG RESISTOR	2.2kΩ,1/10W
				or PDATA114EU	TRANSISTOR			B5301	NRSA02J-0R0X	MG RESISTOR	0Ω,1/10W
			Q5331	2SB1068/KU/-T	TRANSISTOR			B5302	NRSA02J-0R0X	MG RESISTOR	0Ω,1/10W
								B5303	NRSA02J-0R0X	MG RESISTOR	0Ω,1/10W
								B5306	QUY153-050Y	IM BUS WIRE	

#	△ REF No.	PART No.	PART NAME, DESCRIPTION
B5307		QUY153-050Y	IM BUS WIRE
B5309		QUY153-050Y	IM BUS WIRE
B5310		NRSA02J-0R0X	MG RESISTOR 0Ω,1/10W
C5321		QETN1AM-107	E CAPACITOR 100μF,10V
C5322		QETN1HM-106	E CAPACITOR 10μF,50V
C5323		QETN1CM-107	E CAPACITOR 100μF,16V
C5324		QFLC1HJ-102Z	F CAPACITOR 0.001μF,50V
C5325		QFLC1HJ-102Z	F CAPACITOR 0.001μF,50V
C5326		QETN1AM-107	E CAPACITOR 100μF,10V
C5329		NCB21HK-103X	CAPACITOR 0.01μF,50V
C5330		QETN1AM-107	E CAPACITOR 100μF,10V
C5331		QETN1AM-107	E CAPACITOR 100μF,10V
L5321		QQL01BK-221Z	COIL 220μH
HS1		LP40090-001A	HEAT SINK,Q5321
OT1		QYTDST3006Z	SCREW,Q5321
CN5301		QGF1208C1-19	FPC CONNECTOR,(1-19)SW/REG
CN5321		QGF1208F1-13	FPC CONNECTOR,(1-13)
CN5322		QGF1208F1-11	FPC CONNECTOR,(1-11)
CN5323		QGA2001C1-10	CONNECTOR,(1-10)DV MAIN
CN5324		QGA2001C1-05	CONNECTOR,(1-5)DV PRE/REC
CN5325		QGA2001F1-02	CONNECTOR,(1-2)FAN MOTOR
△	CP5321	ICP-N25	CIRCUIT PROTECTOR
△	CP5322	ICP-N25	CIRCUIT PROTECTOR
△	CP5323	ICP-N25	CIRCUIT PROTECTOR

MAIN BOARD ASSEMBLY <03>

PW1	LPA10113-05A	MAIN BOARD ASSY
IC1	JCP8022-NSD-2	IC
IC702	MM1113XF	IC
IC703	MM1228XF	IC
IC705	MM1117XF	IC
IC706	PQ05TZ1U	IC
	or PQ05TZ5U	IC
IC707	AN3916	IC
IC712	MM1111XF	IC
IC2601	BU4052BCF	IC
IC2602	BA15218F-XE	IC
IC2603	BU4052BCF	IC
IC2605	BA15218F-XE	IC
IC2606	BU4052BCF	IC
IC2607	BU4052BCF	IC
IC2608	BA15218F-XE	IC
IC2609	LA7151	IC
IC2610	BU4053BCF	IC
IC3001	HD6432194B02F	IC(MCU)
IC3002	S-80727AN-DQ-X	IC
	or S-80827ANUP-W	IC
IC3003	AT24C08-10PC	IC
	or 24LC08B/P	IC
IC3004	BA6956AN	IC
IC3301	UPD780053GC042	IC(MCU)
IC3302	TC74HC4053AF	IC
Q1	2SC4081/S/-X	TRANSISTOR
Q2	2SC4081/S/-X	TRANSISTOR
Q3	2SC4081/S/-X	TRANSISTOR

#	△ REF No.	PART No.	PART NAME, DESCRIPTION
Q4		2SC4081/S/-X	TRANSISTOR
Q5		2SB1218A/QR/-X	TRANSISTOR
		or 2SA1576A/QR/-X	TRANSISTOR
		or 2PA1576/R/-X	TRANSISTOR
Q7		2SD1819A/QRS/-X	TRANSISTOR
		or 2PC4081/R/-X	TRANSISTOR
		or 2SC4081/QRS/-X	TRANSISTOR
Q8		2SD1819A/QRS/-X	TRANSISTOR
		or 2SC4081/QRS/-X	TRANSISTOR
		or 2PC4081/R/-X	TRANSISTOR
Q9		2SB1218A/QR/-X	TRANSISTOR
		or 2PA1576/R/-X	TRANSISTOR
		or 2SA1576A/QR/-X	TRANSISTOR
Q12		2SB1218A/QR/-X	TRANSISTOR
		or 2SA1576A/QR/-X	TRANSISTOR
		or 2PA1576/R/-X	TRANSISTOR
Q17		DTC144WU	TRANSISTOR
		or PDTC144WU	TRANSISTOR
		or RN1309	TRANSISTOR
		or UN521E	TRANSISTOR
Q21		2SB1218A/QR/-X	TRANSISTOR
		or 2SA1576A/QR/-X	TRANSISTOR
		or 2PA1576/R/-X	TRANSISTOR
Q24		2SB1218A/QR/-X	TRANSISTOR
		or 2PA1576/R/-X	TRANSISTOR
		or 2SB1218A/QR/-X	TRANSISTOR
Q38		2SD1819A/QRS/-X	TRANSISTOR
		or 2SC4081/QRS/-X	TRANSISTOR
		or 2PC4081/R/-X	TRANSISTOR
Q401		2SA1576A/QR/-X	TRANSISTOR
Q402		2SA1576A/QR/-X	TRANSISTOR
Q403		DTC144WU	TRANSISTOR
		or PDTC144WU	TRANSISTOR
		or RN1309	TRANSISTOR
		or UN521E	TRANSISTOR
Q404		DTC144WU	TRANSISTOR
		or PDTC144WU	TRANSISTOR
		or RN1309	TRANSISTOR
		or UN521E	TRANSISTOR
Q405		2SA1576A/QR/-X	TRANSISTOR
Q703		2SC4081/QRS/-X	TRANSISTOR
		or 2PC4081/R/-X	TRANSISTOR
		or 2SD1819A/QRS/-X	TRANSISTOR
Q704		2SC4081/QRS/-X	TRANSISTOR
		or 2SD1819A/QRS/-X	TRANSISTOR
		or 2PC4081/R/-X	TRANSISTOR
Q705		2SA1576A/QR/-X	TRANSISTOR
		or 2PA1576/R/-X	TRANSISTOR
		or 2SB1218A/QR/-X	TRANSISTOR
Q706		2SC4081/QRS/-X	TRANSISTOR
		or 2SD1819A/QRS/-X	TRANSISTOR
		or 2PC4081/R/-X	TRANSISTOR
Q707		2SC4081/QRS/-X	TRANSISTOR
		or 2PC4081/R/-X	TRANSISTOR
		or 2SD1819A/QRS/-X	TRANSISTOR
Q708		2SA1576A/QR/-X	TRANSISTOR
		or 2SB1218A/QR/-X	TRANSISTOR
		or 2PA1576/R/-X	TRANSISTOR
Q709		2SA1576A/QR/-X	TRANSISTOR
		or 2PA1576/R/-X	TRANSISTOR
		or 2SB1218A/QR/-X	TRANSISTOR

#	△	REF No.	PART No.	PART NAME, DESCRIPTION	#	△	REF No.	PART No.	PART NAME, DESCRIPTION
Q710			2SA1576A/QR/-X	TRANSISTOR				or RN2309	TRANSISTOR
			or 2SB1218A/QR/-X	TRANSISTOR				or UN511E	TRANSISTOR
			or 2PA1576/R/-X	TRANSISTOR	Q2252		DTC114EU		TRANSISTOR
Q711			2SA1576A/QR/-X	TRANSISTOR			or PDTC114EU		TRANSISTOR
			or 2PA1576/R/-X	TRANSISTOR			or RN1302		TRANSISTOR
			or 2SB1218A/QR/-X	TRANSISTOR			or UN5211		TRANSISTOR
Q712			2SC4081/QRS/-X	TRANSISTOR	Q2601		2SC4081/QRS/-X		TRANSISTOR
			or 2SD1819A/QRS/-X	TRANSISTOR			or 2PC4081/R/-X		TRANSISTOR
			or 2PC4081/R/-X	TRANSISTOR			or 2SD1819A/QRS/-X		TRANSISTOR
Q713			2SC4081/QRS/-X	TRANSISTOR	Q2602		2SC4081/QRS/-X		TRANSISTOR
			or 2PC4081/R/-X	TRANSISTOR			or 2SD1819A/QRS/-X		TRANSISTOR
			or 2SB1218A/QR/-X	TRANSISTOR			or 2PC4081/R/-X		TRANSISTOR
Q714			2SA1576A/QR/-X	TRANSISTOR	Q3001		2SD1819A/QRS/-X		TRANSISTOR
			or 2SB1218A/QR/-X	TRANSISTOR			or 2SC4081/QRS/-X		TRANSISTOR
			or 2PA1576/R/-X	TRANSISTOR			or 2PC4081/R/-X		TRANSISTOR
Q725			2SA1576A/QR/-X	TRANSISTOR	Q3002		PTZ-NV16		PHOTO TRANSISTOR
			or 2PA1576/R/-X	TRANSISTOR			or PTZ-NV16A		PHOTO TRANSISTOR
			or 2SB1218A/QR/-X	TRANSISTOR	Q3003		PTZ-NV16		PHOTO TRANSISTOR
Q729			DTC144WU	TRANSISTOR			or PTZ-NV16A		PHOTO TRANSISTOR
			or PDTC144WU	TRANSISTOR	Q3004		2SD1819A/QRS/-X		TRANSISTOR
			or RN1309	TRANSISTOR			or 2SC4081/QRS/-X		TRANSISTOR
			or UN521E	TRANSISTOR			or 2PC4081/R/-X		TRANSISTOR
Q730			DTA144WU	TRANSISTOR	Q3005		2SD1819A/QRS/-X		TRANSISTOR
			or PDA144WU	TRANSISTOR			or 2PC4081/R/-X		TRANSISTOR
			or RN2309	TRANSISTOR			or 2SC4081/QRS/-X		TRANSISTOR
			or UN511E	TRANSISTOR	Q3009		UN521E		TRANSISTOR
Q2001			2SC4081/QRS/-X	TRANSISTOR			or RN1309		TRANSISTOR
			or 2SD1819A/QRS/-X	TRANSISTOR			or DTC144WU		TRANSISTOR
			or 2PC4081/R/-X	TRANSISTOR			or PDTC144WU		TRANSISTOR
Q2002			2SC4081/QRS/-X	TRANSISTOR	Q3010		DTC144WU		TRANSISTOR
			or 2PC4081/R/-X	TRANSISTOR			or PDTC144WU		TRANSISTOR
			or 2SD1819A/QRS/-X	TRANSISTOR			or UN521E		TRANSISTOR
Q2003			DTA144WU	TRANSISTOR			or RN1309		TRANSISTOR
			or PDA144WU	TRANSISTOR	Q3011		2SC4081/QRS/-X		TRANSISTOR
			or RN2309	TRANSISTOR			or 2PC4081/R/-X		TRANSISTOR
			or UN511E	TRANSISTOR			or 2SD1819A/QRS/-X		TRANSISTOR
Q2004			DTC144WU	TRANSISTOR	Q3302		DTC144WU		TRANSISTOR
			or PDTC144WU	TRANSISTOR			or RN1309		TRANSISTOR
			or RN1309	TRANSISTOR			or UN521E		TRANSISTOR
			or UN521E	TRANSISTOR	Q3303		DTC144WU		TRANSISTOR
Q2051			2SC4081/QRS/-X	TRANSISTOR			or RN1309		TRANSISTOR
			or 2SD1819A/QRS/-X	TRANSISTOR			or UN521E		TRANSISTOR
			or 2PC4081/R/-X	TRANSISTOR	Q3304		DTC144WU		TRANSISTOR
Q2052			2SA1576A/QR/-X	TRANSISTOR			or UN521E		TRANSISTOR
			or 2PA1576/R/-X	TRANSISTOR			or RN1309		TRANSISTOR
			or 2SB1218A/QR/-X	TRANSISTOR	Q3305		DTC144WU		TRANSISTOR
Q2053			DTC144WU	TRANSISTOR			or RN1309		TRANSISTOR
			or PDTC144WU	TRANSISTOR			or UN521E		TRANSISTOR
			or RN1309	TRANSISTOR	Q3306		DTC144WU		TRANSISTOR
			or UN521E	TRANSISTOR			or RN1309		TRANSISTOR
Q2054			2SA1576A/QR/-X	TRANSISTOR			or UN521E		TRANSISTOR
			or 2SB1218A/QR/-X	TRANSISTOR	Q3307		DTC144WU		TRANSISTOR
			or 2PA1576/R/-X	TRANSISTOR			or RN1309		TRANSISTOR
Q2061			2SC4081/QRS/-X	TRANSISTOR			or UN521E		TRANSISTOR
			or 2PC4081/R/-X	TRANSISTOR	Q3308		DTC144WU		TRANSISTOR
			or 2SD1819A/QRS/-X	TRANSISTOR			or RN1309		TRANSISTOR
Q2062			2SA1576A/QR/-X	TRANSISTOR			or UN521E		TRANSISTOR
			or 2SB1218A/QR/-X	TRANSISTOR	Q4001		UN5211		TRANSISTOR
			or 2PA1576/R/-X	TRANSISTOR			or RN1302		TRANSISTOR
Q2251			DTA144WU	TRANSISTOR			or DTC114EU		TRANSISTOR
			or PDA144WU	TRANSISTOR	Q4003		UN5211		TRANSISTOR

#	△ REF No.	PART No.	PART NAME, DESCRIPTION		#	△ REF No.	PART No.	PART NAME, DESCRIPTION	
		or DTC114EU	TRANSISTOR		R44		NRSA02J-473X	MG RESISTOR	47kΩ,1/10W
		or RN1302	TRANSISTOR		R45		NRSA02J-153X	MG RESISTOR	15kΩ,1/10W
Q6040		2SC4081/RS/-X	TRANSISTOR		R46		NRSA02J-331X	MG RESISTOR	330Ω,1/10W
Q6041		2SA1576A/QR/-X	TRANSISTOR		R48		NRSA02J-102X	MG RESISTOR	1kΩ,1/10W
		or 2PA1576/R/-X	TRANSISTOR		R51		NRSA02J-222X	MG RESISTOR	2.2kΩ,1/10W
Q6042		DTC144EU	TRANSISTOR		R68		NRSA02J-222X	MG RESISTOR	2.2kΩ,1/10W
Q6501		DTC143TU	TRANSISTOR		R70		NRSA02J-0R0X	MG RESISTOR	0Ω,1/10W
Q6502		DTC143TU	TRANSISTOR		R77		NRSA02J-223X	MG RESISTOR	22kΩ,1/10W
Q6551		2SC1740S/QRS/-T	TRANSISTOR		R88		NRSA02J-272X	MG RESISTOR	2.7kΩ,1/10W
		or KTC3199/YG/-T	TRANSISTOR		R90		NRSA02J-471X	MG RESISTOR	470Ω,1/10W
		or 2SC3199/YG/-T	TRANSISTOR		R92		NRSA02J-152X	MG RESISTOR	1.5kΩ,1/10W
Q7501		2SC1317/RS/-T	TRANSISTOR		R93		NRSA02J-102X	MG RESISTOR	1kΩ,1/10W
Q7502		DTC144WU	TRANSISTOR		R104		NRSA02J-682X	MG RESISTOR	6.8kΩ,1/10W
		or PDTC144WU	TRANSISTOR		R113		NRSA02J-101X	MG RESISTOR	100Ω,1/10W
		or RN1309	TRANSISTOR		R401		NRSA02J-221X	MG RESISTOR	220Ω,1/10W
		or UN521E	TRANSISTOR		R402		NRSA02J-102X	MG RESISTOR	1kΩ,1/10W
D706		1SS355	DIODE		R403		NRSA02J-391X	MG RESISTOR	390Ω,1/10W
D2001		1SS355	DIODE		R404		NRSA02J-473X	MG RESISTOR	47kΩ,1/10W
D2121		MTZJ8.2C	ZENER DIODE		R405		NRSA02J-683X	MG RESISTOR	68kΩ,1/10W
D2201		11ES2	DIODE		R407		NRSA02J-472X	MG RESISTOR	4.7kΩ,1/10W
D3001		LNB2301L01VI	LE DIODE		R408		NRSA02J-473X	MG RESISTOR	47kΩ,1/10W
D3002		1SS133	DIODE		R409		NRSA02J-103X	MG RESISTOR	10kΩ,1/10W
D3003		RD33ES/B2/-T2	ZENER DIODE		R704		NRSA02J-333X	MG RESISTOR	33kΩ,1/10W
		or MTZJ33C	ZENER DIODE		R705		NRSA02J-223X	MG RESISTOR	22kΩ,1/10W
D3004		11ES2	DIODE		R706		NRVA02D-271X	CMF RESISTOR	270Ω,1/10W
		or 1A3G	DIODE		R707		NRVA02D-561X	CMF RESISTOR	560Ω,1/10W
D3005		11ES2	DIODE		R709		NRSA02J-0R0X	MG RESISTOR	0Ω,1/10W
		or 1A3G	DIODE		R710		NRSA02J-561X	MG RESISTOR	560Ω,1/10W
D3007		NRSA02J-0R0X	MG RESISTOR	0Ω,1/10W	R711		NRSA02J-0R0X	MG RESISTOR	0Ω,1/10W
D3011		1SS133	DIODE		R712		NRSA02J-682X	MG RESISTOR	6.8kΩ,1/10W
D3012		1SS133	DIODE		R713		NRSA02J-392X	MG RESISTOR	3.9kΩ,1/10W
D3301		1SS355	DIODE		R714		NRSA02J-681X	MG RESISTOR	680Ω,1/10W
D4001		1SS355	DIODE		R716		NRVA02D-132X	CMF RESISTOR	1.3kΩ,1/10W
D4002		1SS355	DIODE		R717		NRSA02J-0R0X	MG RESISTOR	0Ω,1/10W
D6002		HZ30-2L-T2	ZENER DIODE		R718		NRVA02D-271X	CMF RESISTOR	270Ω,1/10W
		or HZ30-2LTD	Z DIODE (M)		R719		NRVA02D-431X	CMF RESISTOR	430Ω,1/10W
D6040		DA204U	DIODE		R720		NRSA02J-222X	MG RESISTOR	2.2kΩ,1/10W
D6551		MTZJ10B	ZENER DIODE		R721		NRSA02J-222X	MG RESISTOR	2.2kΩ,1/10W
R1		NRVA02D-622X	CMF RESISTOR	6.2kΩ,1/10W	R722		NRVA02D-471X	CMF RESISTOR	470Ω,1/10W
R2		NRVA02D-152X	CMF RESISTOR	1.5kΩ,1/10W	R723		NRVA02D-471X	CMF RESISTOR	470Ω,1/10W
R3		NRSA02J-471X	MG RESISTOR	470Ω,1/10W	R724		NRSA02J-102X	MG RESISTOR	1kΩ,1/10W
R5		NRSA02J-0R0X	MG RESISTOR	0Ω,1/10W	R725		NRSA02J-105X	MG RESISTOR	1MΩ,1/10W
R6		NRSA02J-103X	MG RESISTOR	10kΩ,1/10W	R726		NRSA02J-394X	MG RESISTOR	390kΩ,1/10W
R7		NRSA02J-102X	MG RESISTOR	1kΩ,1/10W	R727		NRSA02J-105X	MG RESISTOR	1MΩ,1/10W
R8		NRSA02J-0R0X	MG RESISTOR	0Ω,1/10W	R728		NRVA02D-271X	CMF RESISTOR	270Ω,1/10W
R9		NRSA02J-0R0X	MG RESISTOR	0Ω,1/10W	R729		NRVA02D-271X	CMF RESISTOR	270Ω,1/10W
R21		NRSA02J-222X	MG RESISTOR	2.2kΩ,1/10W	R730		NRSA02J-332X	MG RESISTOR	3.3kΩ,1/10W
R22		NRSA02J-222X	MG RESISTOR	2.2kΩ,1/10W	R767		NRSA02J-0R0X	MG RESISTOR	0Ω,1/10W
R23		NRSA02J-102X	MG RESISTOR	1kΩ,1/10W	R768		NRSA02J-0R0X	MG RESISTOR	0Ω,1/10W
R25		NRSA02J-103X	MG RESISTOR	10kΩ,1/10W	R769		NRSA02J-122X	MG RESISTOR	1.2kΩ,1/10W
R26		NRSA02J-822X	MG RESISTOR	8.2kΩ,1/10W	R770		NRSA02J-471X	MG RESISTOR	470Ω,1/10W
R27		NRSA02J-102X	MG RESISTOR	1kΩ,1/10W	R771		NRSA02J-471X	MG RESISTOR	470Ω,1/10W
R28		NRSA02J-102X	MG RESISTOR	1kΩ,1/10W	R772		NRSA02J-102X	MG RESISTOR	1kΩ,1/10W
R29		NRSA02J-222X	MG RESISTOR	2.2kΩ,1/10W	R773		NRSA02J-223X	MG RESISTOR	22kΩ,1/10W
R30		NRSA02J-0R0X	MG RESISTOR	0Ω,1/10W	R774		NRSA02J-274X	MG RESISTOR	270kΩ,1/10W
R31		NRSA02J-122X	MG RESISTOR	1.2kΩ,1/10W	R775		NRSA02J-183X	MG RESISTOR	18kΩ,1/10W
R32		NRSA02J-102X	MG RESISTOR	1kΩ,1/10W	R777		NRSA02J-0R0X	MG RESISTOR	0Ω,1/10W
R34		NRSA02J-223X	MG RESISTOR	22kΩ,1/10W	R785		NRSA02J-471X	MG RESISTOR	470Ω,1/10W
R36		NRSA02J-182X	MG RESISTOR	1.8kΩ,1/10W	VR701		QVP0039-333Z	TRIM RESISTOR,DV AGC	
R39		NRSA02J-0R0X	MG RESISTOR	0Ω,1/10W	R2003		NRSA02J-101X	MG RESISTOR	100Ω,1/10W
R42		NRSA02J-681X	MG RESISTOR	680Ω,1/10W	R2004		NRSA02J-332X	MG RESISTOR	3.3kΩ,1/10W

#	△	REF No.	PART No.	PART NAME, DESCRIPTION	#	△	REF No.	PART No.	PART NAME, DESCRIPTION
R2005			NRSA02J-103X	MG RESISTOR	R2624			NRSA02J-562X	MG RESISTOR
R2006			NRSA02J-393X	MG RESISTOR	R2625			NRSA02J-562X	MG RESISTOR
R2007			NRSA02J-393X	MG RESISTOR	R2626			NRSA02J-223X	MG RESISTOR
R2009			NRSA02J-123X	MG RESISTOR	R2627			NRSA02J-102X	MG RESISTOR
R2010			NRSA02J-123X	MG RESISTOR	R2628			NRSA02J-102X	MG RESISTOR
R2011			NRSA02J-103X	MG RESISTOR	R2629			NRSA02J-102X	MG RESISTOR
R2012			NRSA02J-153X	MG RESISTOR	R2630			NRSA02J-102X	MG RESISTOR
R2013			NRSA02J-682X	MG RESISTOR	R2631			NRSA02J-103X	MG RESISTOR
R2014			NRSA02J-224X	MG RESISTOR	R2632			NRSA02J-102X	MG RESISTOR
R2015			NRSA02J-181X	MG RESISTOR	R2633			NRSA02J-102X	MG RESISTOR
R2016			NRSA02J-473X	MG RESISTOR	R2634			NRSA02J-102X	MG RESISTOR
R2017			NRSA02J-123X	MG RESISTOR	R2635			NRSA02J-102X	MG RESISTOR
R2018			NRSA02J-472X	MG RESISTOR	R2636			NRSA02J-103X	MG RESISTOR
R2019			NRSA02J-472X	MG RESISTOR	R2637			NRSA02J-105X	MG RESISTOR
R2020			NRSA02J-102X	MG RESISTOR	R2638			NRSA02J-105X	MG RESISTOR
R2024			QRE141J-472	RESISTOR	R2651			NRSA02J-102X	MG RESISTOR
R2053			NRSA02J-332X	MG RESISTOR	R2652			NRSA02J-102X	MG RESISTOR
R2054			NRSA02J-153X	MG RESISTOR	R2653			NRSA02J-102X	MG RESISTOR
R2055			NRSA02J-3R3X	MG RESISTOR	R2654			NRSA02J-102X	MG RESISTOR
R2056			NRSA02J-101X	MG RESISTOR	R2655			NRSA02J-103X	MG RESISTOR
R2057			NRSA02J-473X	MG RESISTOR	R2656			NRSA02J-102X	MG RESISTOR
R2058			NRSA02J-183X	MG RESISTOR	R2657			NRSA02J-102X	MG RESISTOR
R2059			NRSA02J-473X	MG RESISTOR	R2658			NRSA02J-102X	MG RESISTOR
R2060			NRSA02J-183X	MG RESISTOR	R2659			NRSA02J-102X	MG RESISTOR
R2061			NRSA02J-273X	MG RESISTOR	R2660			NRSA02J-221X	MG RESISTOR
R2062			NRSA02J-3R3X	MG RESISTOR	R2661			NRSA02J-103X	MG RESISTOR
R2063			NRSA02J-151X	MG RESISTOR	R2662			NRSA02J-221X	MG RESISTOR
R2064			NRSA02J-473X	MG RESISTOR	R2663			NRSA02J-103X	MG RESISTOR
R2065			NRSA02J-183X	MG RESISTOR	R2664			NRSA02J-221X	MG RESISTOR
R2121			QRE141J-151Y	RESISTOR	R2665			NRSA02J-103X	MG RESISTOR
R2206			NRSA02J-101X	MG RESISTOR	R2666			NRSA02J-221X	MG RESISTOR
R2207			NRSA02J-332X	MG RESISTOR	R2667			NRSA02J-103X	MG RESISTOR
R2213			NRSA02J-393X	MG RESISTOR	R2668			NRSA02J-103X	MG RESISTOR
R2215			NRSA02J-153X	MG RESISTOR	R2681			NRSA02J-221X	MG RESISTOR
R2217			NRSA02J-103X	MG RESISTOR	R2682			NRSA02J-103X	MG RESISTOR
R2218			NRSA02J-393X	MG RESISTOR	R2683			NRSA02J-222X	MG RESISTOR
R2219			NRSA02J-393X	MG RESISTOR	R2684			NRSA02J-103X	MG RESISTOR
R2220			NRSA02J-393X	MG RESISTOR	R2685			NRSA02J-222X	MG RESISTOR
R2223			NRSA02J-123X	MG RESISTOR	R2686			NRSA02J-103X	MG RESISTOR
R2224			NRSA02J-123X	MG RESISTOR	R2687			NRSA02J-221X	MG RESISTOR
R2225			NRSA02J-153X	MG RESISTOR	R2688			NRSA02J-221X	MG RESISTOR
R2228			NRSA02J-0R0X	MG RESISTOR	R2689			NRSA02J-0R0X	MG RESISTOR
R2251			NRSA02J-102X	MG RESISTOR	R2691			NRSA02J-221X	MG RESISTOR
R2252			NRSA02J-472X	MG RESISTOR	R2692			NRSA02J-121X	MG RESISTOR
R2601			NRSA02J-102X	MG RESISTOR	R3011			NRSA02J-0R0X	MG RESISTOR
R2602			NRSA02J-102X	MG RESISTOR	R3012			NRSA02J-0R0X	MG RESISTOR
R2603			NRSA02J-102X	MG RESISTOR	R3013			NRSA02J-0R0X	MG RESISTOR
R2604			NRSA02J-102X	MG RESISTOR	R3016			NRSA02J-0R0X	MG RESISTOR
R2605			NRSA02J-103X	MG RESISTOR	R3017			NRSA02J-472X	MG RESISTOR
R2606			NRSA02J-102X	MG RESISTOR	R3018			NRSA02J-472X	MG RESISTOR
R2607			NRSA02J-102X	MG RESISTOR	R3021			NRSA02J-472X	MG RESISTOR
R2608			NRSA02J-102X	MG RESISTOR	R3022			NRSA02J-472X	MG RESISTOR
R2609			NRSA02J-102X	MG RESISTOR	R3025			NRSA02J-0R0X	MG RESISTOR
R2610			NRSA02J-102X	MG RESISTOR	R3026			NRSA02J-0R0X	MG RESISTOR
R2611			NRSA02J-102X	MG RESISTOR	R3027			NRSA02J-0R0X	MG RESISTOR
R2613			NRSA02J-102X	MG RESISTOR	R3029			NRSA02J-472X	MG RESISTOR
R2614			NRSA02J-103X	MG RESISTOR	R3030			NRSA02J-472X	MG RESISTOR
R2616			NRSA02J-102X	MG RESISTOR	R3031			NRSA02J-0R0X	MG RESISTOR
R2617			NRSA02J-102X	MG RESISTOR	R3033			NRSA02J-0R0X	MG RESISTOR
R2618			NRSA02J-102X	MG RESISTOR	R3034			NRSA02J-472X	MG RESISTOR
R2623			NRSA02J-223X	MG RESISTOR	R3038			NRSA02J-152X	MG RESISTOR

#	△ REF No.	PART No.	PART NAME, DESCRIPTION	#	△ REF No.	PART No.	PART NAME, DESCRIPTION
R3040		NRSA02J-0R0X	MG RESISTOR 0Ω,1/10W	R3214		NRSA02J-103X	MG RESISTOR 10kΩ,1/10W
R3041		NRSA02J-0R0X	MG RESISTOR 0Ω,1/10W	R3215		NRSA02J-103X	MG RESISTOR 10kΩ,1/10W
R3042		NRSA02J-0R0X	MG RESISTOR 0Ω,1/10W	R3216		NRSA02J-103X	MG RESISTOR 10kΩ,1/10W
R3044		NRSA02J-0R0X	MG RESISTOR 0Ω,1/10W	R3217		NRSA02J-562X	MG RESISTOR 5.6kΩ,1/10W
R3046		NRSA02J-102X	MG RESISTOR 1kΩ,1/10W	R3218		QRE141J-472Y	RESISTOR 4.7kΩ,1/4W
R3047		NRSA02J-102X	MG RESISTOR 1kΩ,1/10W	R3219		NRSA02J-472X	MG RESISTOR 4.7kΩ,1/10W
R3048		NRSA02J-221X	MG RESISTOR 220Ω,1/10W	R3220		NRSA02J-104X	MG RESISTOR 100kΩ,1/10W
R3049		NRSA02J-0R0X	MG RESISTOR 0Ω,1/10W	R3222		NRSA02J-472X	MG RESISTOR 4.7kΩ,1/10W
R3050		NRSA02J-0R0X	MG RESISTOR 0Ω,1/10W	R3223		NRSA02J-472X	MG RESISTOR 4.7kΩ,1/10W
R3051		NRSA02J-471X	MG RESISTOR 470Ω,1/10W	R3224		NRSA02J-472X	MG RESISTOR 4.7kΩ,1/10W
R3052		NRSA02J-471X	MG RESISTOR 470Ω,1/10W	R3225		NRSA02J-103X	MG RESISTOR 10kΩ,1/10W
R3053		NRSA02J-471X	MG RESISTOR 470Ω,1/10W	R3229		NRSA02J-105X	MG RESISTOR 1MΩ,1/10W
R3054		NRSA02J-0R0X	MG RESISTOR 0Ω,1/10W	R3230		NRSA02J-472X	MG RESISTOR 4.7kΩ,1/10W
R3055		NRSA02J-0R0X	MG RESISTOR 0Ω,1/10W	R3231		NRSA02J-102X	MG RESISTOR 1kΩ,1/10W
R3056		NRSA02J-102X	MG RESISTOR 1kΩ,1/10W	R3233		NRSA02J-103X	MG RESISTOR 10kΩ,1/10W
R3057		NRSA02J-102X	MG RESISTOR 1kΩ,1/10W	R3235		NRSA02J-102X	MG RESISTOR 1kΩ,1/10W
R3058		NRSA02J-102X	MG RESISTOR 1kΩ,1/10W	R3236		NRSA02J-102X	MG RESISTOR 1kΩ,1/10W
R3059		NRSA02J-102X	MG RESISTOR 1kΩ,1/10W	R3237		NRSA02J-103X	MG RESISTOR 10kΩ,1/10W
R3060		NRSA02J-471X	MG RESISTOR 470Ω,1/10W	R3238		NRSA02J-103X	MG RESISTOR 10kΩ,1/10W
R3061		NRSA02J-471X	MG RESISTOR 470Ω,1/10W	R3239		NRSA02J-103X	MG RESISTOR 10kΩ,1/10W
R3062		NRSA02J-103X	MG RESISTOR 10kΩ,1/10W	R3241		NRSA02J-104X	MG RESISTOR 100kΩ,1/10W
R3063		NRSA02J-472X	MG RESISTOR 4.7kΩ,1/10W	R3247		NRSA02J-472X	MG RESISTOR 4.7kΩ,1/10W
R3066		NRSA02J-472X	MG RESISTOR 4.7kΩ,1/10W	R3251		NRSA02J-103X	MG RESISTOR 10kΩ,1/10W
R3069		NRSA02J-101X	MG RESISTOR 100Ω,1/10W	R3301		NRSA02J-102X	MG RESISTOR 1kΩ,1/10W
R3071		NRSA02J-103X	MG RESISTOR 10kΩ,1/10W	R3302		NRSA02J-102X	MG RESISTOR 1kΩ,1/10W
R3072		NRSA02J-0R0X	MG RESISTOR 0Ω,1/10W	R3303		NRSA02J-102X	MG RESISTOR 1kΩ,1/10W
R3073		NRSA02J-0R0X	MG RESISTOR 0Ω,1/10W	R3305		NRSA02J-102X	MG RESISTOR 1kΩ,1/10W
R3075		NRSA02J-471X	MG RESISTOR 470Ω,1/10W	R3306		NRSA02J-102X	MG RESISTOR 1kΩ,1/10W
R3076		NRSA02J-471X	MG RESISTOR 470Ω,1/10W	R3308		NRSA02J-102X	MG RESISTOR 1kΩ,1/10W
R3077		NRSA02J-102X	MG RESISTOR 1kΩ,1/10W	R3309		NRSA02J-102X	MG RESISTOR 1kΩ,1/10W
R3078		NRSA02J-103X	MG RESISTOR 10kΩ,1/10W	R3310		NRSA02J-102X	MG RESISTOR 1kΩ,1/10W
R3079		NRSA02J-102X	MG RESISTOR 1kΩ,1/10W	R3311		NRSA02J-102X	MG RESISTOR 1kΩ,1/10W
R3083		NRSA02J-0R0X	MG RESISTOR 0Ω,1/10W	R3312		NRSA02J-102X	MG RESISTOR 1kΩ,1/10W
R3085		NRSA02J-0R0X	MG RESISTOR 0Ω,1/10W	R3313		NRSA02J-102X	MG RESISTOR 1kΩ,1/10W
R3086		NRSA02J-0R0X	MG RESISTOR 0Ω,1/10W	R3314		NRSA02J-102X	MG RESISTOR 1kΩ,1/10W
R3087		NRSA02J-0R0X	MG RESISTOR 0Ω,1/10W	R3315		NRSA02J-102X	MG RESISTOR 1kΩ,1/10W
R3088		NRSA02J-0R0X	MG RESISTOR 0Ω,1/10W	R3316		NRSA02J-102X	MG RESISTOR 1kΩ,1/10W
R3089		NRSA02J-0R0X	MG RESISTOR 0Ω,1/10W	R3317		NRSA02J-102X	MG RESISTOR 1kΩ,1/10W
R3091		NRSA02J-102X	MG RESISTOR 1kΩ,1/10W	R3318		NRSA02J-102X	MG RESISTOR 1kΩ,1/10W
R3094		NRSA02J-472X	MG RESISTOR 4.7kΩ,1/10W	R3319		NRSA02J-0R0X	MG RESISTOR 0Ω,1/10W
R3095		NRSA02J-472X	MG RESISTOR 4.7kΩ,1/10W	R3320		NRSA02J-0R0X	MG RESISTOR 0Ω,1/10W
R3096		NRSA02J-0R0X	MG RESISTOR 0Ω,1/10W	R3321		NRSA02J-472X	MG RESISTOR 4.7kΩ,1/10W
R3097		NRSA02J-472X	MG RESISTOR 4.7kΩ,1/10W	R3322		NRSA02J-0R0X	MG RESISTOR 0Ω,1/10W
R3103		NRSA02J-102X	MG RESISTOR 1kΩ,1/10W	R3323		NRSA02J-0R0X	MG RESISTOR 0Ω,1/10W
R3104		NRSA02J-472X	MG RESISTOR 4.7kΩ,1/10W	R3324		NRSA02J-102X	MG RESISTOR 1kΩ,1/10W
R3105		NRSA02J-0R0X	MG RESISTOR 0Ω,1/10W	R3325		NRSA02J-102X	MG RESISTOR 1kΩ,1/10W
R3106		NRSA02J-102X	MG RESISTOR 1kΩ,1/10W	R3326		NRSA02J-102X	MG RESISTOR 1kΩ,1/10W
R3107		NRSA02J-682X	MG RESISTOR 6.8kΩ,1/10W	R3327		NRSA02J-102X	MG RESISTOR 1kΩ,1/10W
R3201		NRSA02J-103X	MG RESISTOR 10kΩ,1/10W	R3328		NRSA02J-102X	MG RESISTOR 1kΩ,1/10W
R3202		NRSA02J-472X	MG RESISTOR 4.7kΩ,1/10W	R3329		NRSA02J-102X	MG RESISTOR 1kΩ,1/10W
R3203		NRSA02J-103X	MG RESISTOR 10kΩ,1/10W	R3330		NRSA02J-102X	MG RESISTOR 1kΩ,1/10W
R3204		NRSA02J-222X	MG RESISTOR 2.2kΩ,1/10W	R3331		NRSA02J-102X	MG RESISTOR 1kΩ,1/10W
R3205		QRE141J-181Y	RESISTOR 180Ω,1/4W	R3332		NRSA02J-102X	MG RESISTOR 1kΩ,1/10W
R3206		NRSA02J-183X	MG RESISTOR 18kΩ,1/10W	R3334		NRSA02J-102X	MG RESISTOR 1kΩ,1/10W
R3207		NRSA02J-183X	MG RESISTOR 18kΩ,1/10W	R3335		NRSA02J-0R0X	MG RESISTOR 0Ω,1/10W
R3208		NRSA02J-181X	MG RESISTOR 180Ω,1/10W	R3336		NRSA02J-0R0X	MG RESISTOR 0Ω,1/10W
R3209		NRSA02J-273X	MG RESISTOR 27kΩ,1/10W	R3337		NRSA02J-0R0X	MG RESISTOR 0Ω,1/10W
R3210		NRSA02J-181X	MG RESISTOR 180Ω,1/10W	R3338		NRSA02J-0R0X	MG RESISTOR 0Ω,1/10W
R3211		NRSA02J-273X	MG RESISTOR 27kΩ,1/10W	R3339		NRSA02J-0R0X	MG RESISTOR 0Ω,1/10W
R3212		NRSA02J-474X	MG RESISTOR 470kΩ,1/10W	R3340		NRSA02J-102X	MG RESISTOR 1kΩ,1/10W
R3213		NRSA02J-334X	MG RESISTOR 330kΩ,1/10W	R3341		NRSA02J-102X	MG RESISTOR 1kΩ,1/10W

#	△	REF No.	PART No.	PART NAME, DESCRIPTION	#	△	REF No.	PART No.	PART NAME, DESCRIPTION	
R3342			NRSA02J-102X	MG RESISTOR	R6032			NRSA02J-123X	MG RESISTOR	12kΩ,1/10W
R3343			NRSA02J-102X	MG RESISTOR	R6040			NRSA02J-471X	MG RESISTOR	470Ω,1/10W
R3344			NRSA02J-102X	MG RESISTOR	R6041			NRSA02J-184X	MG RESISTOR	180kΩ,1/10W
R3346			NRSA02J-102X	MG RESISTOR	R6042			NRSA02J-272X	MG RESISTOR	2.7kΩ,1/10W
R3347			NRSA02J-102X	MG RESISTOR	R6043			NRSA02J-223X	MG RESISTOR	22kΩ,1/10W
R3348			NRSA02J-102X	MG RESISTOR	R6044			NRSA02J-822X	MG RESISTOR	8.2kΩ,1/10W
R3349			NRSA02J-102X	MG RESISTOR	R6045			NRSA02J-471X	MG RESISTOR	470Ω,1/10W
R3350			NRSA02J-102X	MG RESISTOR	R6046			NRSA02J-103X	MG RESISTOR	10kΩ,1/10W
R3351			NRSA02J-102X	MG RESISTOR	R6508			NRSA02J-0R0X	MG RESISTOR	0Ω,1/10W
R3352			NRSA02J-102X	MG RESISTOR	R6510			NRSA02J-0R0X	MG RESISTOR	0Ω,1/10W
R3353			NRSA02J-102X	MG RESISTOR	R6551			NRSA02J-271X	MG RESISTOR	270Ω,1/10W
R3354			NRSA02J-102X	MG RESISTOR	R6552			NRSA02J-101X	MG RESISTOR	100Ω,1/10W
R3355			NRSA02J-102X	MG RESISTOR	R6553			NRSA02J-0R0X	MG RESISTOR	0Ω,1/10W
R3357			NRSA02J-102X	MG RESISTOR	R6554			NRSA02J-0R0X	MG RESISTOR	0Ω,1/10W
R3358			NRSA02J-102X	MG RESISTOR	R7505			NRSA02J-221X	MG RESISTOR	220Ω,1/10W
R3360			NRSA02J-102X	MG RESISTOR	R7506			NRSA02J-472X	MG RESISTOR	4.7kΩ,1/10W
R3361			NRSA02J-102X	MG RESISTOR	R7507			QRE121J-100Y	RESISTOR	10Ω,1/2W
R3362			NRSA02J-102X	MG RESISTOR	R7508			NRSA02J-562X	MG RESISTOR	5.6kΩ,1/10W
R3363			NRSA02J-102X	MG RESISTOR	B3			NRSA02J-0R0X	MG RESISTOR	0Ω,1/10W
R3364			NRSA02J-102X	MG RESISTOR	B8			NRSA02J-0R0X	MG RESISTOR	0Ω,1/10W
R3365			NRSA02J-102X	MG RESISTOR	B18			NRSA02J-0R0X	MG RESISTOR	0Ω,1/10W
R3366			NRSA02J-102X	MG RESISTOR	B37			NRSA02J-0R0X	MG RESISTOR	0Ω,1/10W
R3369			NRSA02J-105X	MG RESISTOR	B38			NRSA02J-0R0X	MG RESISTOR	0Ω,1/10W
R3371			NRSA02J-102X	MG RESISTOR	B42			NRSA02J-0R0X	MG RESISTOR	0Ω,1/10W
R3376			NRSA02J-102X	MG RESISTOR	B49			NRSA02J-0R0X	MG RESISTOR	0Ω,1/10W
R3377			NRSA02J-102X	MG RESISTOR	B701			NRSA02J-0R0X	MG RESISTOR	0Ω,1/10W
R3378			NRSA02J-102X	MG RESISTOR	B707			NRSA02J-0R0X	MG RESISTOR	0Ω,1/10W
R3379			NRSA02J-102X	MG RESISTOR	B718			NRSA02J-0R0X	MG RESISTOR	0Ω,1/10W
R3380			NRSA02J-102X	MG RESISTOR	B722			NRSA02J-0R0X	MG RESISTOR	0Ω,1/10W
R3401			NRSA02J-103X	MG RESISTOR	B724			NRSA02J-0R0X	MG RESISTOR	0Ω,1/10W
R3402			NRSA02J-473X	MG RESISTOR	B726			NRSA02J-0R0X	MG RESISTOR	0Ω,1/10W
R3403			NRSA02J-103X	MG RESISTOR	B727			NRSA02J-0R0X	MG RESISTOR	0Ω,1/10W
R3412			NRSA02J-471X	MG RESISTOR	B729			NRSA02J-0R0X	MG RESISTOR	0Ω,1/10W
R3417			NRSA02J-102X	MG RESISTOR	B731			NRSA02J-0R0X	MG RESISTOR	0Ω,1/10W
R3418			NRSA02J-103X	MG RESISTOR	B732			NRSA02J-0R0X	MG RESISTOR	0Ω,1/10W
R3419			NRSA02J-101X	MG RESISTOR	B733			NRSA02J-0R0X	MG RESISTOR	0Ω,1/10W
R3424			NRSA02J-473X	MG RESISTOR	B738			NRSA02J-0R0X	MG RESISTOR	0Ω,1/10W
R3425			NRSA02J-472X	MG RESISTOR	B741			NRSA02J-0R0X	MG RESISTOR	0Ω,1/10W
R4001			NRSA02J-472X	MG RESISTOR	B2012			NRSA02J-0R0X	MG RESISTOR	0Ω,1/10W
R4003			NRSA02J-561X	MG RESISTOR	B2101			NRSA02J-0R0X	MG RESISTOR	0Ω,1/10W
R4004			NRSA02J-561X	MG RESISTOR	B3003			NRSA02J-0R0X	MG RESISTOR	0Ω,1/10W
R4005			NRSA02J-562X	MG RESISTOR	B3015			NRSA02J-0R0X	MG RESISTOR	0Ω,1/10W
R4007			NRSA02J-102X	MG RESISTOR	B3016			NRSA02J-0R0X	MG RESISTOR	0Ω,1/10W
R4008			NRSA02J-102X	MG RESISTOR	B3026			NRSA02J-0R0X	MG RESISTOR	0Ω,1/10W
R4009			NRSA02J-102X	MG RESISTOR	B3302			QUY160-150Y	IM BUS WIRE	
R4010			NRSA02J-102X	MG RESISTOR	B6001			NRSA02J-0R0X	MG RESISTOR	0Ω,1/10W
R4011			NRSA02J-102X	MG RESISTOR	B6030			NRSA02J-0R0X	MG RESISTOR	0Ω,1/10W
R4012			NRSA02J-222X	MG RESISTOR	B6034			NRSA02J-0R0X	MG RESISTOR	0Ω,1/10W
R4013			NRSA02J-102X	MG RESISTOR	B6565			NRSA02J-0R0X	MG RESISTOR	0Ω,1/10W
R4014			NRSA02J-182X	MG RESISTOR	B7504			NRSA02J-0R0X	MG RESISTOR	0Ω,1/10W
R4015			NRSA02J-223X	MG RESISTOR	B7505			NRSA02J-0R0X	MG RESISTOR	0Ω,1/10W
R4016			NRSA02J-103X	MG RESISTOR	B7511			NRSA02J-0R0X	MG RESISTOR	0Ω,1/10W
R4017			NRSA02J-102X	MG RESISTOR	B7513			NRSA02J-0R0X	MG RESISTOR	0Ω,1/10W
R4018			NRSA02J-102X	MG RESISTOR	B7515			NRSA02J-0R0X	MG RESISTOR	0Ω,1/10W
R4019			NRSA02J-103X	MG RESISTOR	B7516			NRSA02J-0R0X	MG RESISTOR	0Ω,1/10W
R4020			NRSA02J-103X	MG RESISTOR	B7518			NRSA02J-0R0X	MG RESISTOR	0Ω,1/10W
R4021			NRSA02J-103X	MG RESISTOR	B7519			NRSA02J-0R0X	MG RESISTOR	0Ω,1/10W
R6020			NRSA02J-102X	MG RESISTOR	C1			NCB21EK-103X	CAPACITOR	0.01μF,25V
R6021			NRSA02J-102X	MG RESISTOR	C2			NCB21EK-103X	CAPACITOR	0.01μF,25V
R6022			NRSA02J-102X	MG RESISTOR	C3			NCB21EK-103X	CAPACITOR	0.01μF,25V
R6031			NRSA02J-0R0X	MG RESISTOR	C4			NCB21EK-103X	CAPACITOR	0.01μF,25V

#	△ REF No.	PART No.	PART NAME, DESCRIPTION	#	△ REF No.	PART No.	PART NAME, DESCRIPTION
C5		QEKJ0JM-476	E CAPACITOR 47μF,6.3V	C705		NCB21HK-103X	CAPACITOR 0.01μF,50V
C6		NCB11EK-104X	CAPACITOR 0.1μF,25V	C706		QEKJ0JM-476	E CAPACITOR 47μF,6.3V
C7		NCB21HK-102X	CAPACITOR 0.001μF,50V	C707		NRSA02J-153X	MG RESISTOR 15kΩ,1/10W
C8		NCB21EK-104X	CAPACITOR 0.1μF,25V	C708		NCB21HK-103X	CAPACITOR 0.01μF,50V
C9		QEKJ1HM-225	E CAPACITOR 2.2μF,50V	C709		QEKJ0JM-337	E CAPACITOR 330μF,6.3V
C10		NDC21HG-151X	CAPACITOR 150pF,50V	C711		NCB21HK-103X	CAPACITOR 0.01μF,50V
C11		NCB21EK-104X	CAPACITOR 0.1μF,25V	C712		NCB21HK-103X	CAPACITOR 0.01μF,50V
C12		NDC21HJ-7R0X	CAPACITOR 7pF,50V	C713		NCB21HK-103X	CAPACITOR 0.01μF,50V
C14		NCB21EK-104X	CAPACITOR 0.1μF,25V	C714		NCB21HK-103X	CAPACITOR 0.01μF,50V
C15		NCB21EK-103X	CAPACITOR 0.01μF,25V	C715		QEKJ1CM-226	E CAPACITOR 22μF,16V
C16		NCB11EK-104X	CAPACITOR 0.1μF,25V	C717		QEKJ1HM-105	E CAPACITOR 1μF,50V
C17		QEKJ1HM-335	E CAPACITOR 3.3μF,50V	C718		QEKJ1HM-225	E CAPACITOR 2.2μF,50V
C18		QEKJ1HM-105	E CAPACITOR 1μF,50V	C719		NCB21HK-103X	CAPACITOR 0.01μF,50V
C19		QEKJ1CM-106	E CAPACITOR 10μF,16V	C720		QEKJ1HM-225	E CAPACITOR 2.2μF,50V
C20		QEKJ1HM-105	E CAPACITOR 1μF,50V	C722		NCB21HK-103X	CAPACITOR 0.01μF,50V
C21		NCB21EK-104X	CAPACITOR 0.1μF,25V	C757		QEKJ1HM-225	E CAPACITOR 2.2μF,50V
C22		QEKJ0JM-476	E CAPACITOR 47μF,6.3V	C759		QEPF1HM-225	NP E CAPACITOR 2.2μF,50V
C23		NCB21EK-104X	CAPACITOR 0.1μF,25V	C760		NCB21HK-103X	CAPACITOR 0.01μF,50V
C24		NCB21EK-104X	CAPACITOR 0.1μF,25V	C761		QEKJ1HM-225	E CAPACITOR 2.2μF,50V
C25		NDC21HJ-4R0X	CAPACITOR 4pF,50V	C763		QEKJ1HM-105	E CAPACITOR 1μF,50V
C26		NCB21EK-103X	CAPACITOR 0.01μF,25V	C764		QEKJ0JM-107	E CAPACITOR 100μF,6.3V
C27		NCB21HK-223X	CAPACITOR 0.022μF,50V	C765		NCB21HK-332X	CAPACITOR 0.0033μF,50V
C28		QEKJ1HM-335	E CAPACITOR 3.3μF,50V	C766		NCB21HK-103X	CAPACITOR 0.01μF,50V
C29		NCB21HK-472X	CAPACITOR 0.0047μF,50V	C767		NCB21HK-473X	CAPACITOR 0.047μF,50V
C30		NCB21CK-474X	CAPACITOR 0.47μF,16V	C768		QEKJ0JM-226	E CAPACITOR 22μF,6.3V
C31		QEKJ0JM-476	E CAPACITOR 47μF,6.3V	C769		QEKJ1CM-106	E CAPACITOR 10μF,16V
C32		NCB21EK-104X	CAPACITOR 0.1μF,25V	C770		QEKJ1CM-106	E CAPACITOR 10μF,16V
C33		QEKJ1HM-225	E CAPACITOR 2.2μF,50V	C771		QEKJ1EM-475	E CAPACITOR 4.7μF,25V
C34		NCB21EK-104X	CAPACITOR 0.1μF,25V	C772		NCB21HK-103X	CAPACITOR 0.01μF,50V
C35		NCB21EK-104X	CAPACITOR 0.1μF,25V	C773		NDC21HJ-470X	CAPACITOR 47pF,50V
C36		QEKJ1EM-475	E CAPACITOR 4.7μF,25V	C791		QEKJ0JM-476	E CAPACITOR 47μF,6.3V
C37		NCB21AK-105X	CAPACITOR 1μF,10V	C799		QEKJ0JM-476	E CAPACITOR 47μF,6.3V
C38		QEKJ0JM-476	E CAPACITOR 47μF,6.3V	C801		NCB21HK-103X	CAPACITOR 0.01μF,50V
C39		NCB21EK-104X	CAPACITOR 0.1μF,25V	C802		NCB21HK-103X	CAPACITOR 0.01μF,50V
C40		QEKJ1CM-106	E CAPACITOR 10μF,16V	C803		NCB21HK-103X	CAPACITOR 0.01μF,50V
C54		NDC21HJ-221X	CAPACITOR 220pF,50V	C2001		QETJ1HM-475	E CAPACITOR 4.7μF,50V
C59		NCB21EK-104X	CAPACITOR 0.1μF,25V	C2002		QEKJ1CM-106	E CAPACITOR 10μF,16V
C60		QEKJ0JM-476	E CAPACITOR 47μF,6.3V	C2003		QEKJ0JM-476	E CAPACITOR 47μF,6.3V
C61		NCB21HK-103X	CAPACITOR 0.01μF,50V	C2004		NCB21HK-103X	CAPACITOR 0.01μF,50V
C63		NCB21EK-104X	CAPACITOR 0.1μF,25V	C2005		QEKJ1EM-475	E CAPACITOR 4.7μF,25V
C64		NDC21HJ-120X	CAPACITOR 12pF,50V	C2006		NCB21HK-123X	CAPACITOR 0.012μF,50V
C69		NCB21EK-104X	CAPACITOR 0.1μF,25V	C2007		QEKJ1CM-226	E CAPACITOR 22μF,16V
C70		NCB21EK-104X	CAPACITOR 0.1μF,25V	C2008		QEKJ1EM-475	E CAPACITOR 4.7μF,25V
C71		NCB21HK-103X	CAPACITOR 0.01μF,50V	C2009		NCB21HK-102X	CAPACITOR 0.001μF,50V
C72		NDC21HJ-470X	CAPACITOR 47pF,50V	C2010		NCB21HK-222X	CAPACITOR 0.0022μF,50V
C73		NDC21HJ-120X	CAPACITOR 12pF,50V	C2011		QEKJ1EM-475	E CAPACITOR 4.7μF,25V
C74		NDC21HJ-120X	CAPACITOR 12pF,50V	C2012		QEKJ1EM-475	E CAPACITOR 4.7μF,25V
C80		NCB21HK-103X	CAPACITOR 0.01μF,50V	C2051		NCB21HK-331X	CAPACITOR 330pF,50V
C84		NDC21HJ-220X	CAPACITOR 22pF,50V	C2052		QFLC1HJ-333Z	F CAPACITOR 0.033μF,50V
C94		NRSA02J-0R0X	MG RESISTOR 0Ω,1/10W	C2053		NCB21HK-472X	CAPACITOR 0.0047μF,50V
C106		NDC21HJ-560X	CAPACITOR 56pF,50V	C2054		NCB21HK-103X	CAPACITOR 0.01μF,50V
C108		NDC21HJ-150X	CAPACITOR 15pF,50V	C2055		QEKJ1CM-106	E CAPACITOR 10μF,16V
C109		NCB21CK-224X	CAPACITOR 0.22μF,16V	C2061		QFLC1HJ-333Z	F CAPACITOR 0.033μF,50V
C110		NDC21HJ-331X	CAPACITOR 330pF,50V	C2062		NCB21HK-332X	CAPACITOR 0.0033μF,50V
C401		NCB21HK-103X	CAPACITOR 0.01μF,50V	C2063		NCB21HK-103X	CAPACITOR 0.01μF,50V
C402		NCB21HK-223X	CAPACITOR 0.022μF,50V	C2064		QEKJ1CM-106	E CAPACITOR 10μF,16V
C403		NDC21HJ-151X	CAPACITOR 150pF,50V	C2121		QEKJ1CM-476	E CAPACITOR 47μF,16V
C404		NDC21HJ-470X	CAPACITOR 47pF,50V	C2201		NCB21EK-104X	CAPACITOR 0.1μF,25V
C406		NDC21HJ-681X	CAPACITOR 680pF,50V	C2202		NCB21EK-333X	CAPACITOR 0.033μF,25V
C407		NDC21HJ-180X	CAPACITOR 18pF,50V	C2203		QEKJ1CM-106	E CAPACITOR 10μF,16V
C704		NCB21HK-103X	CAPACITOR 0.01μF,50V	C2204		NCB21HK-102X	CAPACITOR 0.001μF,50V

#	△	REF No.	PART No.	PART NAME, DESCRIPTION	#	△	REF No.	PART No.	PART NAME, DESCRIPTION
C2205			QEKJ1HM-105	E CAPACITOR	C3031			NCB21EK-104X	CAPACITOR
				1μF,50V					0.1μF,25V
C2207			QEKJ1CM-476	E CAPACITOR	C3032			NCB21EK-104X	CAPACITOR
				47μF,16V					0.1μF,25V
C2208			QETJ1HM-475	E CAPACITOR	C3033			NCB21EK-104X	CAPACITOR
				4.7μF,50V					0.1μF,25V
C2215			QERF1EM-475	E CAPACITOR	C3036			NDC21HJ-180X	CAPACITOR
				4.7μF,25V					18pF,50V
C2216			QEKJ1HM-474	E CAPACITOR	C3037			NDC21HJ-120X	CAPACITOR
				0.47μF,50V					12pF,50V
C2217			QEKJ1CM-106	E CAPACITOR	C3040			NCB21HK-103X	CAPACITOR
				10μF,16V					0.01μF,50V
C2218			QEKJ1HM-474	E CAPACITOR	C3041			NDC21HJ-100X	CAPACITOR
				0.47μF,50V					10pF,50V
C2219			QEKJ1CM-106	E CAPACITOR	C3042			QETJ0JM-477	E CAPACITOR
				10μF,16V					470μF,6.3V
C2220			QEKJ1EM-475	E CAPACITOR	C3054			NCB21EK-104X	CAPACITOR
				4.7μF,25V					0.1μF,25V
C2221			NCB21HK-103X	CAPACITOR	C3310			NCB21HK-103X	CAPACITOR
				0.01μF,50V					0.01μF,50V
C2222			QEKJ1HM-474	E CAPACITOR	C3311			QEKJ1HM-335	E CAPACITOR
				0.47μF,50V					3.3μF,50V
C2223			QEKJ1HM-474	E CAPACITOR	C3312			NCB21HK-103X	CAPACITOR
				0.47μF,50V					0.01μF,50V
C2224			NCB21HK-103X	CAPACITOR	C3313			NCB21EK-473X	CAPACITOR
				0.01μF,50V					0.047μF,25V
C2225			QEKJ1EM-475	E CAPACITOR	C4002			NCB21EK-104X	CAPACITOR
				4.7μF,25V					0.1μF,25V
C2226			QEKJ1CM-106	E CAPACITOR	C4003			NCB21HK-102X	CAPACITOR
				10μF,16V					0.001μF,50V
C2227			NCB21CK-104X	CAPACITOR	C4004			QERF1CM-226	E CAPACITOR
				0.1μF,16V					22μF,16V
C2229			NDC21HJ-101X	CAPACITOR	C4006			QERF0JM-476	E CAPACITOR
				100pF,50V					47μF,6.3V
C2230			NDC21HJ-101X	CAPACITOR	C4007			NCB21HJ-102X	CAPACITOR
				100pF,50V					0.001μF,50V
C2231			NCB21HK-222X	CAPACITOR	C4008			NCB21AK-105X	CAPACITOR
				0.0022μF,50V					1μF,10V
C2251			QEKJ1CM-476	E CAPACITOR	C4009			NCB21HK-563X	CAPACITOR
				47μF,16V					0.056μF,50V
C2252			NCB21HK-103X	CAPACITOR	C4010			NCB21EK-223X	CAPACITOR
				0.01μF,50V					0.022μF,25V
C2253			NCB21CK-104X	CAPACITOR	C4011			NCB21EK-104X	CAPACITOR
				0.1μF,16V					0.1μF,25V
C2254			NCB21CK-104X	CAPACITOR	C4012			NCB21EK-224X	CAPACITOR
				0.1μF,16V					0.22μF,25V
C2255			NDC21HJ-181X	CAPACITOR	C4013			NCB21HK-563X	CAPACITOR
				180pF,50V					0.056μF,50V
C2601			QEKJ1CM-106	E CAPACITOR	C4014			NDC21HJ-101X	CAPACITOR
				10μF,16V					100pF,50V
C2602			NDC21HJ-101X	CAPACITOR	C4015			NCB21HJ-102X	CAPACITOR
				100pF,50V					0.001μF,50V
C2603			NDC21HJ-101X	CAPACITOR	C4017			NCB21HK-222X	CAPACITOR
				100pF,50V					0.0022μF,50V
C2604			QEKJ1CM-476	E CAPACITOR	C6040			NCB21EK-104X	CAPACITOR
				47μF,16V					0.1μF,25V
C2605			QEKJ1CM-106	E CAPACITOR	C6042			NDC21HJ-471X	CAPACITOR
				10μF,16V					470pF,50V
C2606			QEKJ1HM-105	E CAPACITOR	C6043			NCB21HK-223X	CAPACITOR
				1μF,50V					0.022μF,50V
C2607			QEKJ1HM-105	E CAPACITOR	C6044			QEKJ1HM-225	E CAPACITOR
				1μF,50V					2.2μF,50V
C2610			NDC21HJ-101X	CAPACITOR	C7503			QETJ0JM-477	E CAPACITOR
				100pF,50V					470μF,6.3V
C2611			NDC21HJ-101X	CAPACITOR	C7515			NCB21EK-104X	CAPACITOR
				100pF,50V					0.1μF,25V
C2612			QEKJ1CM-106	E CAPACITOR	L1			QQL29BJ-100Z	COIL
				10μF,16V					10μH
C2651			QEKJ1CM-106	E CAPACITOR	L2			QQL231J-101Y	COIL
				10μF,16V					100μH
C2652			QEKJ1CM-106	E CAPACITOR	L3			QQL29BJ-100Z	COIL
				10μF,16V					10μH
C2653			NDC21HJ-101X	CAPACITOR	L4			QQL29BJ-100Z	COIL
				100pF,50V					10μH
C2654			NDC21HJ-101X	CAPACITOR	L5			QQL29BJ-100Z	COIL
				100pF,50V					10μH
C2655			QEKJ1CM-106	E CAPACITOR	L11			QQLZ011-120Z	COIL
				10μF,16V					12μH
C2656			QEKJ1CM-106	E CAPACITOR	L13			QQL231J-101Y	COIL
				10μF,16V					100μH
C2657			QEKJ1CM-106	E CAPACITOR	L15			QQL29BJ-100Z	COIL
				10μF,16V					10μH
C2658			QEKJ1CM-106	E CAPACITOR	L18			QUY153-050Y	IM BUS WIRE
				10μF,16V					
C2659			QEKJ1CM-106	E CAPACITOR	L19			QQL231J-100Y	COIL
				10μF,16V					10μH
C2660			QEKJ1CM-106	E CAPACITOR	L20			QUY153-050Y	IM BUS WIRE
				10μF,16V					
C2661			QEKJ1CM-106	E CAPACITOR	L24			QQL231J-180Y	COIL
				10μF,16V					18μH
C2681			QEKJ1CM-106	E CAPACITOR	L27			QQL231J-151Y	COIL
				10μF,16V					150μH
C2682			QEKJ1CM-476	E CAPACITOR	L28			QQL231J-150Y	COIL
				47μF,16V					15μH
C2683			QEKJ1CM-476	E CAPACITOR	L401			QQL071J-150Y	COIL
				47μF,16V					15μH
C3001			NCB21EK-104X	CAPACITOR	L402			QUY153-050Y	IM BUS WIRE
				0.1μF,25V					
C3002			NCB21HK-103X	CAPACITOR	L701			QQL29BJ-4R7Z	COIL
				0.01μF,50V					4.7μH
C3003			QEKJ1CM-106	E CAPACITOR	L702			QQL29BJ-4R7Z	COIL
				10μF,16V					4.7μH
C3004			NCB21EK-104X	CAPACITOR	L714			QQL29BJ-4R7Z	COIL
				0.1μF,25V					4.7μH
C3008			NCB21HK-102X	CAPACITOR	L715			QQL29BJ-4R7Z	COIL
				0.001μF,50V					4.7μH
C3010			QEZO244-229	EDL CAPACITOR	L2001			QQL29BJ-100Z	COIL
				0.0022F,5.5V					10μH
C3012			QEKJ0JM-107	E CAPACITOR	L2251			QQL29BJ-100Z	COIL
				100μF,6.3V					10μH
C3015			NCB21EK-104X	CAPACITOR	L2252			QQL29BJ-151Z	COIL
				0.1μF,25V					150μH
C3016			NCB21EK-104X	CAPACITOR	L3011			QRE141J-0R0Y	RESISTOR
				0.1μF,25V					0Ω,1/4W
C3022			NCB21EK-104X	CAPACITOR	L3012			QRE141J-0R0Y	RESISTOR
				0.1μF,25V					0Ω,1/4W
C3024			NDC21HJ-120X	CAPACITOR	L3301			QQL231J-100Y	COIL
				12pF,50V					10μH
C3027			QERF1CM-106	E CAPACITOR	L6001			QUY153-050Y	IM BUS WIRE
				10μF,16V					
C3030			QERF1CM-226	E CAPACITOR	L6005			QUY153-050Y	IM BUS WIRE
				22μF,16V					

#	△ REF No.	PART No.	PART NAME, DESCRIPTION	
L7501		QQL29BJ-101Z	COIL	100μH
CF3301		QAX0227-001Z	RESONATOR	
X2		QAX0575-001	CRYSTAL RESONATOR	
X3001		QAX0444-001	CRYSTAL RESONATOR	
X3002		QAX0527-001	CRYSTAL RESONATOR	
S3001		QSW0602-004	PUSH SWITCH,REC SAFETY	
S3002		QSW0695-001	PUSH SWITCH,S CASS SW	
K2001		NRSA02J-0R0X	MG RESISTOR	0Ω,1/10W
K2002		NRSA02J-0R0X	MG RESISTOR	0Ω,1/10W
K2251		NRSA02J-0R0X	MG RESISTOR	0Ω,1/10W
K2252		NRSA02J-0R0X	MG RESISTOR	0Ω,1/10W
K2253		NRSA02J-0R0X	MG RESISTOR	0Ω,1/10W
PC3001		GP3S123	IC(PHOTO SENSOR	
PC3002		GP3S123	IC(PHOTO SENSOR	
T2051		PELN0860	OSC TRANSFORMER	
T2052		PELN0861	OSC TRANSFORMER	
T6040		PELN0806	LC TRAP	
TU6001		QAU0163-001	TUNER	
SD1		LP30644-001A	SHIELD CASE(PRE)	
WR100		QUQ112-1414CG	FFC WIRE,S-SUB	
CN1		QGF1028C1-13	FPC CONNECTOR,(1-13)U.DRUM	
CN703		QGA2001C1-06	CONNECTOR,(1-6)DV MAIN	
CN2001		QGF1207C1-07	FPC CONNECTOR,(1-7)A/C HEAD	
CN2002		QGB2532J1-02	CONNECTOR,(1-2)FE HEAD	
CN2601		QGF1016C3-08	FFC/FPC CONNECTOR,(1-8)DV AUDIO	
CN3001		QGF1207C1-05	FPC CONNECTOR,(1-5)DRUM MDA	
CN3002		QGB2532J1-02	CONNECTOR,(1-2)LOADING MOTOR	
CN3003		QGB2015M2-08	CONNECTOR,(1-8)CAPSTAN MOTOR	
CN3004		QGB2534J2-04	CONNECTOR,(1-4)ROTARY ENCODER	
CN3011		QGF1209F2-18	FFC/FPC CONNECTOR,(1-18)SW/DISPLAY	
CN3014		QGF1016C3-06	FFC/FPC CONNECTOR,(1-6)DV MAIN	
CN7501		QGB2024K1-13S	CONNECTOR,(1-13)TERMINAL	
CN7502		QGB2024K1-07S	CONNECTOR,(1-7)TERMINAL	
CN7503		QGB2024K1-10S	CONNECTOR,(1-10)TERMINAL	
CN7504		QGB2024K1-11S	CONNECTOR,(1-11)TERMINAL	
CN7506		QGF1207C1-14	FPC CONNECTOR,(1-14)S-SUB	
CN7507		QGF1209F2-16	FFC/FPC CONNECTOR,(1-16)JOG	
CN7508		QGF1207C1-11	FPC CONNECTOR,(3-13)REG	
CN7509		QGF1207C1-13	FPC CONNECTOR,(3-15)REG	
△	CP3002	ICP-N15	CIRCUIT PROTECTOR	
△	CP3003	ICP-N25	CIRCUIT PROTECTOR	
△	CP3004	ICP-N15	CIRCUIT PROTECTOR	
△	CP4001	ICP-N25	CIRCUIT PROTECTOR	

3D DIGITAL/4M BOARD ASSEMBLY <05>

PW1	LPA10104-03B	3D DIGITAL/4M BOARD ASSY
IC1401	JCP8026	IC
IC1402	MN47V77S-XE	IC
Q1401	2SC1317/RS/-T	TRANSISTOR
Q1402	2SA1576A/QR/-X	TRANSISTOR
	or 2PA1576/R/-X	TRANSISTOR
Q1403	2SA1576A/QR/-X	TRANSISTOR
	or 2PA1576/R/-X	TRANSISTOR
Q1406	2SA1576A/QR/-X	TRANSISTOR
	or 2PA1576/R/-X	TRANSISTOR
Q1407	2SA1576A/QR/-X	TRANSISTOR

#	△ REF No.	PART No.	PART NAME, DESCRIPTION	
		or 2PA1576/R/-X	TRANSISTOR	
Q1408		2SC4081/S/-X	TRANSISTOR	
Q1410		2SC4081/QRS/-X	TRANSISTOR	
		or 2PC4081/R/-X	TRANSISTOR	
Q1412		2SC4081/QRS/-X	TRANSISTOR	
		or 2PC4081/R/-X	TRANSISTOR	
Q1413		2SA1576A/QR/-X	TRANSISTOR	
		or 2PA1576/R/-X	TRANSISTOR	
Q1417		2SA1576A/QR/-X	TRANSISTOR	
		or 2PA1576/R/-X	TRANSISTOR	
Q1418		2SA1576A/QR/-X	TRANSISTOR	
		or 2PA1576/R/-X	TRANSISTOR	
Q1419		DTC124TU	TRANSISTOR	
D1401		RD4.3ES/B2/-T2	ZENER DIODE	
		or MTZJ4.3B	ZENER DIODE	
D1402		RB721Q-40-T2	SB DIODE	
R1401		NRSA02J-271X	MG RESISTOR	270Ω,1/10W
R1402		NRSA02J-101X	MG RESISTOR	100Ω,1/10W
R1404		NRSA02J-182X	MG RESISTOR	1.8kΩ,1/10W
R1406		NRSA02J-471X	MG RESISTOR	470Ω,1/10W
R1407		NRSA02J-272X	MG RESISTOR	2.7kΩ,1/10W
R1410		NRSA02J-241X	MG RESISTOR	240Ω,1/10W
R1411		NRSA02J-152X	MG RESISTOR	1.5kΩ,1/10W
R1413		NRSA02J-471X	MG RESISTOR	470Ω,1/10W
R1414		NRSA02J-821X	MG RESISTOR	820Ω,1/10W
R1415		NRSA02J-221X	MG RESISTOR	220Ω,1/10W
R1416		NRSA02J-104X	MG RESISTOR	100kΩ,1/10W
R1417		NRSA02J-101X	MG RESISTOR	100Ω,1/10W
R1418		NRSA02J-471X	MG RESISTOR	470Ω,1/10W
R1421		NRSA02J-331X	MG RESISTOR	330Ω,1/10W
R1426		NRSA02J-821X	MG RESISTOR	820Ω,1/10W
R1427		NRSA02J-333X	MG RESISTOR	33kΩ,1/10W
R1428		NRSA02J-393X	MG RESISTOR	39kΩ,1/10W
R1429		NRSA02J-152X	MG RESISTOR	1.5kΩ,1/10W
R1430		NRSA02J-222X	MG RESISTOR	2.2kΩ,1/10W
R1431		NRSA02J-821X	MG RESISTOR	820Ω,1/10W
R1432		NRSA02J-182X	MG RESISTOR	1.8kΩ,1/10W
R1433		NRSA02J-510X	MG RESISTOR	51Ω,1/10W
R1434		NRSA02J-153X	MG RESISTOR	15kΩ,1/10W
R1435		NRSA02J-103X	MG RESISTOR	10kΩ,1/10W
R1436		NRSA02J-392X	MG RESISTOR	3.9kΩ,1/10W
R1437		NRSA02J-392X	MG RESISTOR	3.9kΩ,1/10W
R1438		NRSA02J-473X	MG RESISTOR	47kΩ,1/10W
R1439		NRSA02J-273X	MG RESISTOR	27kΩ,1/10W
R1440		NRSA02J-473X	MG RESISTOR	47kΩ,1/10W
R1446		NRSA02J-102X	MG RESISTOR	1kΩ,1/10W
R1447		NRSA02J-102X	MG RESISTOR	1kΩ,1/10W
R1448		NRSA02J-102X	MG RESISTOR	1kΩ,1/10W
R1449		NRSA02J-102X	MG RESISTOR	1kΩ,1/10W
R1450		NRSA02J-102X	MG RESISTOR	1kΩ,1/10W
R1452		NRSA02J-102X	MG RESISTOR	1kΩ,1/10W
R1453		NRSA02J-102X	MG RESISTOR	1kΩ,1/10W
R1455		NRSA02J-681X	MG RESISTOR	680Ω,1/10W
R1458		NRSA02J-561X	MG RESISTOR	560Ω,1/10W
R1459		NRSA02J-681X	MG RESISTOR	680Ω,1/10W
R1460		NRSA02J-273X	MG RESISTOR	27kΩ,1/10W
R1462		NRSA02J-0R0X	MG RESISTOR	0Ω,1/10W
VR1401		QVZ3521-103Z	V RESISTOR,D/A LEVEL ADJ.	
B1417		NRSA02J-0R0X	MG RESISTOR	0Ω,1/10W
B1419		NRSA02J-0R0X	MG RESISTOR	0Ω,1/10W
C1401		QEKJ1CM-336	E CAPACITOR	33μF,16V

#	△	REF No.	PART No.	PART NAME, DESCRIPTION		#	△	REF No.	PART No.	PART NAME, DESCRIPTION	
C1402			NCB21HK-103X	CAPACITOR	0.01μF,50V	L1403			QQL071J-6R8Y	COIL	6.8μH
C1403			QEKJ0JM-337	E CAPACITOR	330μF,6.3V	L1404			QQL071J-6R8Y	COIL	6.8μH
C1404			NCF21EZ-104X	CAPACITOR	0.1μF,25V	L1405			QQL29BJ-101Z	COIL	100μH
C1405			NCF21EZ-104X	CAPACITOR	0.1μF,25V	L1406			QQL071J-330Y	COIL	33μH
C1406			NCB21HK-103X	CAPACITOR	0.01μF,50V	L1407			QQL29BJ-101Z	COIL	100μH
C1407			NDC21HJ-680X	CAPACITOR	68pF,50V	L1408			QQL29BJ-101Z	COIL	100μH
C1408			NDC21HJ-330X	CAPACITOR	33pF,50V	LC1401			QQR0657-013Z	NOISE FILTER	
C1410			QEKJ1EM-475	E CAPACITOR	4.7μF,25V	LC1402			QQR0657-010Z	NOISE FILTER	
C1411			NCF21EZ-104X	CAPACITOR	0.1μF,25V	SD1			LP30706-001C	SHIELD FRAME(S-VHS)	
C1412			NDC21HJ-680X	CAPACITOR	68pF,50V	SD2			LP30684-001A	SHIELD CASE(S-VHS)	
C1413			NDC21HJ-330X	CAPACITOR	33pF,50V	CN1401			QGG2502K1-17	HEADER PIN	
C1415			NCF21EZ-104X	CAPACITOR	0.1μF,25V						
C1416			QEKJ1CM-106	E CAPACITOR	10μF,16V						
C1417			NCF21EZ-104X	CAPACITOR	0.1μF,25V						
C1421			NDC21HJ-330X	CAPACITOR	33pF,50V						
C1422			NDC21HJ-680X	CAPACITOR	68pF,50V						
C1423			NCF21EZ-104X	CAPACITOR	0.1μF,25V						
C1424			NCB21HK-103X	CAPACITOR	0.01μF,50V						
C1425			NCB21HK-103X	CAPACITOR	0.01μF,50V						
C1426			NDC21HJ-390X	CAPACITOR	39pF,50V						
C1428			NDC21HJ-220X	CAPACITOR	22pF,50V						
C1429			QEKJ0JM-337	E CAPACITOR	330μF,6.3V						
C1430			NCF21EZ-104X	CAPACITOR	0.1μF,25V						
C1432			NCF21CZ-105X	CAPACITOR	1μF,16V						
C1433			NCF21EZ-104X	CAPACITOR	0.1μF,25V						
C1435			NCF21EZ-104X	CAPACITOR	0.1μF,25V						
C1436			NCF21EZ-104X	CAPACITOR	0.1μF,25V						
C1437			NCF21EZ-104X	CAPACITOR	0.1μF,25V						
C1438			NCF21EZ-104X	CAPACITOR	0.1μF,25V						
C1439			NCF21CZ-105X	CAPACITOR	1μF,16V						
C1440			NCF21EZ-104X	CAPACITOR	0.1μF,25V						
C1441			NCF21EZ-104X	CAPACITOR	0.1μF,25V						
C1442			NCF21CZ-105X	CAPACITOR	1μF,16V						
C1444			NCF21EZ-104X	CAPACITOR	0.1μF,25V						
C1445			NCF21EZ-104X	CAPACITOR	0.1μF,25V						
C1446			QEKJ0JM-107	E CAPACITOR	100μF,6.3V						
C1447			NCF21EZ-104X	CAPACITOR	0.1μF,25V						
C1448			QEKJ0JM-337	E CAPACITOR	330μF,6.3V						
C1449			NCF21EZ-104X	CAPACITOR	0.1μF,25V						
C1451			QEKJ1EM-475	E CAPACITOR	4.7μF,25V						
C1452			NCF21EZ-104X	CAPACITOR	0.1μF,25V						
C1453			NCF21EZ-104X	CAPACITOR	0.1μF,25V						
C1454			NCF21EZ-104X	CAPACITOR	0.1μF,25V						
C1455			NCF21EZ-104X	CAPACITOR	0.1μF,25V						
C1456			QEKJ0JM-337	E CAPACITOR	330μF,6.3V						
C1457			NCF21EZ-104X	CAPACITOR	0.1μF,25V						
C1458			NCF21EZ-104X	CAPACITOR	0.1μF,25V						
C1459			NDC21HJ-470X	CAPACITOR	47pF,50V						
C1460			NDC21HJ-470X	CAPACITOR	47pF,50V						
C1461			NDC21HJ-470X	CAPACITOR	47pF,50V						
C1462			NDC21HJ-470X	CAPACITOR	47pF,50V						
C1463			QEKJ0JM-336	E CAPACITOR	33μF,6.3V						
C1465			NDC21HJ-470X	CAPACITOR	47pF,50V						
C1466			NDC21HJ-470X	CAPACITOR	47pF,50V						
C1467			NDC21HJ-470X	CAPACITOR	47pF,50V						
C1468			NDC21HJ-470X	CAPACITOR	47pF,50V						
C1471			NCF21EZ-104X	CAPACITOR	0.1μF,25V						
C1472			NCF21EZ-104X	CAPACITOR	0.1μF,25V						
C1473			NCF21EZ-104X	CAPACITOR	0.1μF,25V						
L1401			QQL29BJ-100Z	COIL	10μH						
L1402			QQL071J-6R8Y	COIL	6.8μH						
L1403			QQL071J-6R8Y	COIL	6.8μH						
L1404			QQL071J-6R8Y	COIL	6.8μH						
L1405			QQL29BJ-101Z	COIL	100μH						
L1406			QQL071J-330Y	COIL	33μH						
L1407			QQL29BJ-101Z	COIL	100μH						
L1408			QQL29BJ-101Z	COIL	100μH						
LC1401			QQR0657-013Z	NOISE FILTER							
LC1402			QQR0657-010Z	NOISE FILTER							
SD1			LP30706-001C	SHIELD FRAME(S-VHS)							
SD2			LP30684-001A	SHIELD CASE(S-VHS)							
CN1401			QGG2502K1-17	HEADER PIN							

TERMINAL BOARD ASSEMBLY <06>											
						PW1			LPA10115-03A	TERMINAL BOARD ASSY	
						IC7101			MM1228XF	IC	
						IC7102			MM1224XF	IC	
						IC7103			MM1512XN	IC	
						IC7106			MM1024AF	IC	
						Q7101			2SC4081/QRS/-X	TRANSISTOR	
									or 2PC4081/R/-X	TRANSISTOR	
						Q7102			2SA1576A/QR/-X	TRANSISTOR	
									or 2PA1576/R/-X	TRANSISTOR	
						Q7103			2SC4081/QRS/-X	TRANSISTOR	
									or 2PC4081/R/-X	TRANSISTOR	
						Q7104			2SA1576A/QR/-X	TRANSISTOR	
									or 2PA1576/R/-X	TRANSISTOR	
						Q7105			2SC4226/4/-X	TRANSISTOR	
									or 2SC3938/QR/-X	TRANSISTOR	
						Q7106			2SC4226/4/-X	TRANSISTOR	
									or 2SC3938/QR/-X	TRANSISTOR	
						Q7107			2SC4226/4/-X	TRANSISTOR	
									or 2SC3938/QR/-X	TRANSISTOR	
						Q7108			2SC4226/4/-X	TRANSISTOR	
									or 2SC3938/QR/-X	TRANSISTOR	
						Q7109			DTC144WU	TRANSISTOR	
									or PDTC144WU	TRANSISTOR	
						Q7110			DTC144WU	TRANSISTOR	
									or PDTC144WU	TRANSISTOR	
						Q7111			2SA1576A/QR/-X	TRANSISTOR	
									or 2PA1576/R/-X	TRANSISTOR	
						Q7114			2SC4081/QRS/-X	TRANSISTOR	
									or 2PC4081/R/-X	TRANSISTOR	
						Q7115			2SA1576A/QR/-X	TRANSISTOR	
									or 2PA1576/R/-X	TRANSISTOR	
						Q7116			2SC4081/QRS/-X	TRANSISTOR	
									or 2PC4081/R/-X	TRANSISTOR	
						Q7117			2SA1576A/QR/-X	TRANSISTOR	
									or 2PA1576/R/-X	TRANSISTOR	
						D7101			DA204U	DIODE	
						D7103			DA204U	DIODE	
						D7104			DA204U	DIODE	
						R7101			NRSA02J-750X	MG RESISTOR	75Ω,1/10W
						R7102			NRSA02J-750X	MG RESISTOR	75Ω,1/10W
						R7103			NRVA02D-750X	CMF RESISTOR	75Ω,1/10W
						R7104			NRVA02D-750X	CMF RESISTOR	75Ω,1/10W

#	△ REF No.	PART No.	PART NAME, DESCRIPTION
R7105		NRVA02D-680X	CMF RESISTOR 68Ω,1/10W
R7106		NRVA02D-750X	CMF RESISTOR 75Ω,1/10W
R7107		NRSA02J-750X	MG RESISTOR 75Ω,1/10W
R7108		NRSA02J-101X	MG RESISTOR 100Ω,1/10W
R7109		NRVA02D-750X	CMF RESISTOR 75Ω,1/10W
R7110		NRVA02D-680X	CMF RESISTOR 68Ω,1/10W
R7111		NRVA02D-561X	CMF RESISTOR 560Ω,1/10W
R7112		NRVA02D-561X	CMF RESISTOR 560Ω,1/10W
R7113		NRSA02J-102X	MG RESISTOR 1kΩ,1/10W
R7114		NRVA02D-511X	CMF RESISTOR 510Ω,1/10W
R7115		NRVA02D-561X	CMF RESISTOR 560Ω,1/10W
R7116		NRSA02J-102X	MG RESISTOR 1kΩ,1/10W
R7117		NRSA02J-103X	MG RESISTOR 10kΩ,1/10W
R7118		NRSA02J-821X	MG RESISTOR 820Ω,1/10W
R7119		NRSA02J-102X	MG RESISTOR 1kΩ,1/10W
R7120		NRSA02J-392X	MG RESISTOR 3.9kΩ,1/10W
R7121		NRSA02J-472X	MG RESISTOR 4.7kΩ,1/10W
R7122		NRSA02J-152X	MG RESISTOR 1.5kΩ,1/10W
R7123		NRSA02J-271X	MG RESISTOR 270Ω,1/10W
R7124		NRSA02J-152X	MG RESISTOR 1.5kΩ,1/10W
R7125		NRSA02J-392X	MG RESISTOR 3.9kΩ,1/10W
R7126		NRSA02J-562X	MG RESISTOR 5.6kΩ,1/10W
R7127		NRSA02J-152X	MG RESISTOR 1.5kΩ,1/10W
R7128		NRSA02J-271X	MG RESISTOR 270Ω,1/10W
R7129		NRSA02J-152X	MG RESISTOR 1.5kΩ,1/10W
R7130		NRSA02J-0R0X	MG RESISTOR 0Ω,1/10W
R7139		NRSA02J-102X	MG RESISTOR 1kΩ,1/10W
R7140		NRVA02D-561X	CMF RESISTOR 560Ω,1/10W
R7141		NRVA02D-471X	CMF RESISTOR 470Ω,1/10W
R7142		NRSA02J-102X	MG RESISTOR 1kΩ,1/10W
R7143		NRVA02D-561X	CMF RESISTOR 560Ω,1/10W
R7144		NRVA02D-471X	CMF RESISTOR 470Ω,1/10W
R7145		NRSA02J-271X	MG RESISTOR 270Ω,1/10W
R7158		NRSA02J-101X	MG RESISTOR 100Ω,1/10W
R7159		NRSA02J-221X	MG RESISTOR 220Ω,1/10W
R7160		NRSA02J-221X	MG RESISTOR 220Ω,1/10W
R7161		NRSA02J-221X	MG RESISTOR 220Ω,1/10W
R7162		NRSA02J-221X	MG RESISTOR 220Ω,1/10W
R7163		NRSA02J-101X	MG RESISTOR 100Ω,1/10W
R7164		NRSA02J-101X	MG RESISTOR 100Ω,1/10W
R7182		NRSA02J-0R0X	MG RESISTOR 0Ω,1/10W
B7103		NRSA02J-0R0X	MG RESISTOR 0Ω,1/10W
B7104		NRSA02J-3R3X	MG RESISTOR 3.3Ω,1/10W
B7114		NRSA02J-0R0X	MG RESISTOR 0Ω,1/10W
B7115		NRSA02J-0R0X	MG RESISTOR 0Ω,1/10W
B7116		QUY153-050Y	IM BUS WIRE
B7117		QUY153-050Y	IM BUS WIRE
C7101		NRSA02J-0R0X	MG RESISTOR 0Ω,1/10W
C7102		QEKJ1HM-225	E CAPACITOR 2.2μF,50V
C7103		QEKJ1HM-225	E CAPACITOR 2.2μF,50V
C7104		QEKJ1CM-106	E CAPACITOR 10μF,16V
C7105		NCB21EK-104X	CAPACITOR 0.1μF,25V
C7106		NCB21HK-103X	CAPACITOR 0.01μF,50V
C7107		NCB21HK-103X	CAPACITOR 0.01μF,50V
C7108		NCB21HK-103X	CAPACITOR 0.01μF,50V
C7109		NCB21EK-104X	CAPACITOR 0.1μF,25V
C7110		QEKJ1CM-476	E CAPACITOR 47μF,16V
C7111		QEKJ0JM-107	E CAPACITOR 100μF,6.3V
C7112		QEKJ0JM-226	E CAPACITOR 22μF,6.3V
C7113		NCB21EK-104X	CAPACITOR 0.1μF,25V
C7114		QEKJ1HM-474	E CAPACITOR 0.47μF,50V

#	△ REF No.	PART No.	PART NAME, DESCRIPTION
C7115		NCB21EK-104X	CAPACITOR 0.1μF,25V
C7116		QEKJ1CM-476	E CAPACITOR 47μF,16V
C7117		NCB21EK-104X	CAPACITOR 0.1μF,25V
C7119		NCB21HK-103X	CAPACITOR 0.01μF,50V
C7120		QEKJ0JM-107	E CAPACITOR 100μF,6.3V
C7121		QEKJ0JM-337	E CAPACITOR 330μF,6.3V
C7122		QEKJ0JM-337	E CAPACITOR 330μF,6.3V
C7123		NCB21EK-104X	CAPACITOR 0.1μF,25V
C7124		QEKJ0JM-337	E CAPACITOR 330μF,6.3V
C7125		QEKJ0JM-337	E CAPACITOR 330μF,6.3V
C7128		NCB21EK-104X	CAPACITOR 0.1μF,25V
C7137		NDC21HJ-270X	CAPACITOR 27pF,50V
C7138		NCB21HK-103X	CAPACITOR 0.01μF,50V
C7139		NCB21HK-103X	CAPACITOR 0.01μF,50V
C7141		QEKJ1CM-106	E CAPACITOR 10μF,16V
C7142		QEKJ0JM-107	E CAPACITOR 100μF,6.3V
C7145		QEPF1HM-474	NP E CAPACITOR 0.47μF,50V
C7146		NCB21HK-103X	CAPACITOR 0.01μF,50V
C7147		QEKJ0JM-107	E CAPACITOR 100μF,6.3V
L7101		QQL29BJ-4R7Z	COIL 4.7μH
L7102		QQL29BJ-4R7Z	COIL 4.7μH
L7103		QQL29BJ-4R7Z	COIL 4.7μH
L7104		QQL29BJ-4R7Z	COIL 4.7μH
ET1		QNZ0431-001Z	EARTH TERMINAL
J7101		QND0084-001	S JACK,S_IN
J7102		QND0009-001	S JACK,S1_OUT
J7103		QND0009-001	S JACK,S2_OUT
J7104		QNN0358-001	PIN JACK,R1_IN
J7105		QNN0363-004	PIN JACK,R1_OUT
J7106		QNN0359-001	PIN JACK,R2_OUT
J7110		PU60659	MINI JACK,C.BOX
CN7101		QGB2024J1-13S	CONNECTOR,(1-13)MAIN
CN7102		QGB2024J1-07S	CONNECTOR,(1-7)MAIN
CN7103		QGB2024J1-10S	CONNECTOR,(2-11)MAIN
CN7104		QGB2024J1-11S	CONNECTOR,(1-11)MAIN

A/C HEAD BOARD ASSEMBLY <12>

PW1	LPA10010-01A1	A/C HEAD BOARD ASSY
CN1	QGF1208F1-07	FPC CONNECTOR

DEMOD BOARD ASSEMBLY <14>

PW1	PB11076A	DEMOD BOARD ASSY
IC1501	UPC1852AGT	IC
	or UPC1854AGT	IC
R1501	QRE141J-102Y	RESISTOR 1kΩ,1/4W
R1502	QRE141J-334Y	RESISTOR 330kΩ,1/4W
R1503	QRE141J-124Y	RESISTOR 120kΩ,1/4W
R1504	QRE141J-302Y	RESISTOR 3kΩ,1/4W

#	△	REF No.	PART No.	PART NAME, DESCRIPTION	#	△	REF No.	PART No.	PART NAME, DESCRIPTION
R1505			QRE141J-512Y	RESISTOR 5.1kΩ,1/4W	R531			NRSA02J-101X	MG RESISTOR 100Ω,1/10W
R1506			QRE141J-333Y	RESISTOR 33kΩ,1/4W	R532			NRSA02J-101X	MG RESISTOR 100Ω,1/10W
R1507			QRE141J-333Y	RESISTOR 33kΩ,1/4W	R533			NRSA02J-101X	MG RESISTOR 100Ω,1/10W
R1508			QRE141J-392Y	RESISTOR 3.9kΩ,1/4W	R534			NRSA02J-101X	MG RESISTOR 100Ω,1/10W
R1509			QRE141J-122Y	RESISTOR 1.2kΩ,1/4W	R535			NRSA02J-101X	MG RESISTOR 100Ω,1/10W
R1510			QRE141J-392Y	RESISTOR 3.9kΩ,1/4W	R536			NRSA02J-101X	MG RESISTOR 100Ω,1/10W
R1511			QRE141J-122Y	RESISTOR 1.2kΩ,1/4W	B501			NRSA02J-0R0X	MG RESISTOR 0Ω,1/10W
R1517			QRE141J-123Y	RESISTOR 12kΩ,1/4W	B503			NRSA02J-0R0X	MG RESISTOR 0Ω,1/10W
C1501			QETN1CM-226	E CAPACITOR 22μF,16V	C501			QEKJ1HM-225	E CAPACITOR 2.2μF,50V
C1502			QETN1HM-104	E CAPACITOR 0.1μF,50V	C502			QEKJ1EM-475	E CAPACITOR 4.7μF,25V
C1503			QETN1HM-105	E CAPACITOR 1μF,50V	C503			QEKJ1HM-225	E CAPACITOR 2.2μF,50V
C1504			QETN1HM-475	E CAPACITOR 4.7μF,50V	C504			NCB21EK-104X	CAPACITOR 0.1μF,25V
C1505			QETN1HM-225	E CAPACITOR 2.2μF,50V	C505			QEKJ1EM-475	E CAPACITOR 4.7μF,25V
C1506			QETN1HM-104	E CAPACITOR 0.1μF,50V	C506			NCB21EK-104X	CAPACITOR 0.1μF,25V
C1507			QFV11HJ-473	F CAPACITOR 0.047μF,50V	C507			QEKJ0JM-227	E CAPACITOR 220μF,6.3V
C1508			QETN1HM-474	E CAPACITOR 0.47μF,50V	C508			QEPF1HM-474	NP E CAPACITOR 0.47μF,50V
C1509			QETN1HM-104	E CAPACITOR 0.1μF,50V	C509			QEKJ1CM-106	E CAPACITOR 10μF,16V
C1510			QETN1HM-105	E CAPACITOR 1μF,50V	C510			QEKJ0JM-227	E CAPACITOR 220μF,6.3V
C1511			QETN1HM-105	E CAPACITOR 1μF,50V	C511			NCB21HK-103X	CAPACITOR 0.01μF,50V
C1512			QETN1HM-105	E CAPACITOR 1μF,50V	C512			NCB21HK-103X	CAPACITOR 0.01μF,50V
C1513			QETN1HM-335	T CAPACITOR 3.3μF,50V	C513			QEKJ1EM-475	E CAPACITOR 4.7μF,25V
C1514			QETN1HM-106	T CAPACITOR 10μF,50V	C514			NCB21HK-103X	CAPACITOR 0.01μF,50V
C1515			QETN1HM-105	E CAPACITOR 1μF,50V	C515			NCB21HK-103X	CAPACITOR 0.01μF,50V
C1516			QETN1HM-106	E CAPACITOR 10μF,50V	C516			NCB21HK-103X	CAPACITOR 0.01μF,50V
C1517			QETN1HM-106	E CAPACITOR 10μF,50V	C517			NCF21EZ-104X	CAPACITOR 0.1μF,25V
C1518			QETN1HM-105	E CAPACITOR 1μF,50V	C518			NCB21EK-104X	CAPACITOR 0.1μF,25V
C1521			QETN1HM-106	E CAPACITOR 10μF,50V	C519			QEKJ1HM-225	E CAPACITOR 2.2μF,50V
BK1			LP40077-001A	BRACKET(BOARD)	C520			QERF1EM-475	E CAPACITOR 4.7μF,25V
CN1501			QGG2502K1-09	HEADER PIN	C521			QEKJ1EM-475	E CAPACITOR 4.7μF,25V

S-SUB BOARD ASSEMBLY <15>

PW1	LPA10103-04A	S-SUB BOARD ASSY	
IC501	JCP8038	IC	
IC502	VC2076DP	IC	
R503	NRSA02J-221X	MG RESISTOR	220Ω,1/10W
R504	NRSA02J-332X	MG RESISTOR	3.3kΩ,1/10W
R505	NRSA02J-392X	MG RESISTOR	3.9kΩ,1/10W
R506	NRSA02J-391X	MG RESISTOR	390Ω,1/10W
R507	NRSA02J-122X	MG RESISTOR	1.2kΩ,1/10W
R508	NRSA02J-151X	MG RESISTOR	150Ω,1/10W
R509	NRSA02J-162X	MG RESISTOR	1.6kΩ,1/10W
R510	NRVA02D-102X	CMF RESISTOR	1kΩ,1/10W
R511	NRVA02D-471X	CMF RESISTOR	470Ω,1/10W
R512	NRVA02D-102X	CMF RESISTOR	1kΩ,1/10W
R513	NRVA02D-152X	CMF RESISTOR	1.5kΩ,1/10W
R514	NRVA02D-332X	CMF RESISTOR	3.3kΩ,1/10W
R515	NRVA02D-332X	CMF RESISTOR	3.3kΩ,1/10W
R516	NRSA02J-0R0X	MG RESISTOR	0Ω,1/10W
R517	NRSA02J-0R0X	MG RESISTOR	0Ω,1/10W
R522	NRSA02J-103X	MG RESISTOR	10kΩ,1/10W
R523	NRSA02J-103X	MG RESISTOR	10kΩ,1/10W
R524	NRSA02J-103X	MG RESISTOR	10kΩ,1/10W
R525	NRSA02J-125X	MG RESISTOR	1.2MΩ,1/10W
R527	NRSA02J-332X	MG RESISTOR	3.3kΩ,1/10W

R531	NRSA02J-101X	MG RESISTOR	100Ω,1/10W
R532	NRSA02J-101X	MG RESISTOR	100Ω,1/10W
R533	NRSA02J-101X	MG RESISTOR	100Ω,1/10W
R534	NRSA02J-101X	MG RESISTOR	100Ω,1/10W
R535	NRSA02J-101X	MG RESISTOR	100Ω,1/10W
R536	NRSA02J-101X	MG RESISTOR	100Ω,1/10W
B501	NRSA02J-0R0X	MG RESISTOR	0Ω,1/10W
B503	NRSA02J-0R0X	MG RESISTOR	0Ω,1/10W
C501	QEKJ1HM-225	E CAPACITOR	2.2μF,50V
C502	QEKJ1EM-475	E CAPACITOR	4.7μF,25V
C503	QEKJ1HM-225	E CAPACITOR	2.2μF,50V
C504	NCB21EK-104X	CAPACITOR	0.1μF,25V
C505	QEKJ1EM-475	E CAPACITOR	4.7μF,25V
C506	NCB21EK-104X	CAPACITOR	0.1μF,25V
C507	QEKJ0JM-227	E CAPACITOR	220μF,6.3V
C508	QEPF1HM-474	NP E CAPACITOR	0.47μF,50V
C509	QEKJ1CM-106	E CAPACITOR	10μF,16V
C510	QEKJ0JM-227	E CAPACITOR	220μF,6.3V
C511	NCB21HK-103X	CAPACITOR	0.01μF,50V
C512	NCB21HK-103X	CAPACITOR	0.01μF,50V
C513	QEKJ1EM-475	E CAPACITOR	4.7μF,25V
C514	NCB21HK-103X	CAPACITOR	0.01μF,50V
C515	NCB21HK-103X	CAPACITOR	0.01μF,50V
C516	NCB21HK-103X	CAPACITOR	0.01μF,50V
C517	NCF21EZ-104X	CAPACITOR	0.1μF,25V
C518	NCB21EK-104X	CAPACITOR	0.1μF,25V
C519	QEKJ1HM-225	E CAPACITOR	2.2μF,50V
C520	QERF1EM-475	E CAPACITOR	4.7μF,25V
C521	QEKJ1EM-475	E CAPACITOR	4.7μF,25V
C522	QEKJ1HM-225	E CAPACITOR	2.2μF,50V
C523	QEKJ1HM-225	E CAPACITOR	2.2μF,50V
C524	NDC21HG-301X	CAPACITOR	300pF,50V
C525	NDC21HG-301X	CAPACITOR	300pF,50V
C526	NDC21HJ-101X	CAPACITOR	100pF,50V
C527	NDC21HJ-181X	CAPACITOR	180pF,50V
C528	NDC21HG-271X	CAPACITOR	270pF,50V
C529	NDC21HG-820X	CAPACITOR	82pF,50V
C530	NDC21HG-221X	CAPACITOR	220pF,50V
C531	NDC21HG-301X	CAPACITOR	300pF,50V
C532	NDC21HG-301X	CAPACITOR	300pF,50V
C533	NCB21HK-103X	CAPACITOR	0.01μF,50V
C534	QETJ0JM-477	E CAPACITOR	470μF,6.3V
C535	NCB21HK-103X	CAPACITOR	0.01μF,50V
C551	QEKJ1HM-105	E CAPACITOR	1μF,50V
C552	NCB21HK-103X	CAPACITOR	0.01μF,50V
C553	NCB21HK-103X	CAPACITOR	0.01μF,50V
C554	QEKJ1HM-105	E CAPACITOR	1μF,50V
C555	NCB21HK-103X	CAPACITOR	0.01μF,50V
C556	NCB21HK-103X	CAPACITOR	0.01μF,50V
C557	QEKJ1HM-105	E CAPACITOR	1μF,50V
C558	NCB21HK-103X	CAPACITOR	0.01μF,50V
C559	NCB21HK-103X	CAPACITOR	0.01μF,50V
C560	QEKJ1HM-105	E CAPACITOR	1μF,50V
C561	QEKJ1HM-105	E CAPACITOR	1μF,50V
C563	NCB21HK-103X	CAPACITOR	0.01μF,50V
L501	QQL29BJ-100Z	COIL	10μH
L503	QQL29BJ-100Z	COIL	10μH
L504	QQL29BJ-100Z	COIL	10μH
BK1	LP40077-001A	BRACKET(BOARD)	
CN511	QGG2503K2-30	HEADER PIN,(1-30)MAIN	
CN512	QGF1209F2-14	FFC/FPC CONNE,(1-14)MAIN	

#	REF No.	PART No.	PART NAME, DESCRIPTION

DV PRE/REC MDA BOARD ASSEMBLY <16>			
PW2	LPA10117-03A2	DV PRE/REC MDA BOARD ASSY	
IC5001	JCY0132	IC	
IC5002	TC7SH00FU	IC(DIGITAL)	
IC5501	BA6865KV	IC	
IC5502	BA6417F	IC	
Q5501	DTA114EU	TRANSISTOR	
Q5502	2SB1302/ST/-X	TRANSISTOR	
Q5503	2SB1302/ST/-X	TRANSISTOR	
Q5504	2SB1302/ST/-X	TRANSISTOR	
Q5505	2SC4097/QR/-X	TRANSISTOR	
D5502	DAP222	DIODE	
D5503	DAP222	DIODE	
D5504	DAP222	DIODE	
R5003	NRSA63J-0R0X	MG RESISTOR	0Ω,1/16W
R5004	NRSA63J-471X	MG RESISTOR	470Ω,1/16W
R5007	NRSA63J-104X	MG RESISTOR	100kΩ,1/16W
R5014	NRSA63J-102X	MG RESISTOR	1kΩ,1/16W
R5018	NRSA63J-241X	MG RESISTOR	240Ω,1/16W
R5019	NRSA63J-0R0X	MG RESISTOR	0Ω,1/16W
R5020	NRSA63J-0R0X	MG RESISTOR	0Ω,1/16W
R5021	NRSA63J-241X	MG RESISTOR	240Ω,1/16W
R5023	NRSA63J-241X	MG RESISTOR	240Ω,1/16W
R5026	NRSA63J-241X	MG RESISTOR	240Ω,1/16W
R5035	NRSA63J-223X	MG RESISTOR	22kΩ,1/16W
R5057	NRSA63J-223X	MG RESISTOR	22kΩ,1/16W
R5058	NRSA63J-222X	MG RESISTOR	2.2kΩ,1/16W
R5101	NRSA63J-0R0X	MG RESISTOR	0Ω,1/16W
R5102	NRSA63J-0R0X	MG RESISTOR	0Ω,1/16W
R5111	NRSA63J-0R0X	MG RESISTOR	0Ω,1/16W
R5112	NRSA63J-0R0X	MG RESISTOR	0Ω,1/16W
R5114	NRSA63J-0R0X	MG RESISTOR	0Ω,1/16W
R5115	NRSA63J-0R0X	MG RESISTOR	0Ω,1/16W
R5117	NQR0147-004X	FERRITE BEARS	
R5118	NRSA63J-0R0X	MG RESISTOR	0Ω,1/16W
R5119	NRSA63J-101X	MG RESISTOR	100Ω,1/16W
R5121	NRSA63J-0R0X	MG RESISTOR	0Ω,1/16W
R5501	NRSA63J-681X	MG RESISTOR	680Ω,1/16W
R5502	NRSA63J-124X	MG RESISTOR	120kΩ,1/16W
R5503	NRSA63J-472X	MG RESISTOR	4.7kΩ,1/16W
R5504	NRSA63J-104X	MG RESISTOR	100kΩ,1/16W
R5505	NRSA63J-223X	MG RESISTOR	22kΩ,1/16W
R5506	NRV142F-R22X	CMF RESISTOR	0.22Ω,1/4W
R5509	NRS12BK-R68W	MG RESISTOR	0.68Ω,1/2W
R5510	NRSA63J-102X	MG RESISTOR	1kΩ,1/16W
R5511	NRSA63J-102X	MG RESISTOR	1kΩ,1/16W
R5512	NRSA63J-274X	MG RESISTOR	270kΩ,1/16W
R5513	NRSA63J-272X	MG RESISTOR	2.7kΩ,1/16W
R5514	NRSA63J-154X	MG RESISTOR	150kΩ,1/16W
R5515	NRSA63J-474X	MG RESISTOR	470kΩ,1/16W
R5516	NRSA63J-202X	MG RESISTOR	2kΩ,1/16W
R5517	NRSA63J-473X	MG RESISTOR	47kΩ,1/16W
R5518	NRSA63J-203X	MG RESISTOR	20kΩ,1/16W
R5519	NRSA63J-393X	MG RESISTOR	39kΩ,1/16W
R5520	NRSA63J-103X	MG RESISTOR	10kΩ,1/16W
R5522	NRSA63J-103X	MG RESISTOR	10kΩ,1/16W
R5523	NRSA63J-103X	MG RESISTOR	10kΩ,1/16W

#	REF No.	PART No.	PART NAME, DESCRIPTION
R5525		NRSA63J-511X	MG RESISTOR 510Ω,1/16W
R5526		NRSA63J-511X	MG RESISTOR 510Ω,1/16W
R5527		NRSA63J-511X	MG RESISTOR 510Ω,1/16W
R5528		NRSA63J-511X	MG RESISTOR 510Ω,1/16W
R5529		NRSA63J-105X	MG RESISTOR 1MΩ,1/16W
R5530		NRSA63J-0R0X	MG RESISTOR 0Ω,1/16W
R5531		NRSA63J-0R0X	MG RESISTOR 0Ω,1/16W
R5533		NRSA63J-0R0X	MG RESISTOR 0Ω,1/16W
R5534		NRSA63J-0R0X	MG RESISTOR 0Ω,1/16W
R5536		NRSA63J-823X	MG RESISTOR 82kΩ,1/16W
R5537		NRSA63J-103X	MG RESISTOR 10kΩ,1/16W
R5543		NRSA63J-333X	MG RESISTOR 33kΩ,1/16W
R5544		NRSA63J-333X	MG RESISTOR 33kΩ,1/16W
R5545		NRSA63J-333X	MG RESISTOR 33kΩ,1/16W
R5546		NRSA63J-393X	MG RESISTOR 39kΩ,1/16W
R5547		NRSA02J-1R8X	MG RESISTOR 1.8Ω,1/10W
R5548		NRSA63J-333X	MG RESISTOR 33kΩ,1/16W
R5549		NRSA63J-102X	MG RESISTOR 1kΩ,1/16W
R5550		NRSA63J-103X	MG RESISTOR 10kΩ,1/16W
R5551		NRSA63J-0R0X	MG RESISTOR 0Ω,1/16W
R5552		NRSA63J-0R0X	MG RESISTOR 0Ω,1/16W
R5553		NRSA63J-0R0X	MG RESISTOR 0Ω,1/16W
R5554		NRSA63J-0R0X	MG RESISTOR 0Ω,1/16W
R5555		NRSA63J-0R0X	MG RESISTOR 0Ω,1/16W
R5556		NRSA63J-0R0X	MG RESISTOR 0Ω,1/16W
R5557		NRSA63J-0R0X	MG RESISTOR 0Ω,1/16W
R5558		NRSA63J-0R0X	MG RESISTOR 0Ω,1/16W
R5559		NRSA63J-0R0X	MG RESISTOR 0Ω,1/16W
R5560		NRSA63J-0R0X	MG RESISTOR 0Ω,1/16W
R5561		NRSA63J-0R0X	MG RESISTOR 0Ω,1/16W
C5002		NCB31CK-104X	CAPACITOR 0.1μF,16V
C5003		NCB31CK-104X	CAPACITOR 0.1μF,16V
C5004		NCB31CK-223X	CAPACITOR 0.022μF,16V
C5005		NCB31CK-473X	CAPACITOR 0.047μF,16V
C5006		NCB31CK-104X	CAPACITOR 0.1μF,16V
C5007		NCB31CK-104X	CAPACITOR 0.1μF,16V
C5008		NCB31CK-104X	CAPACITOR 0.1μF,16V
C5009		NEA70JM-226X	E CAPACITOR 22μF,6.3V
C5010		NCB31CK-104X	CAPACITOR 0.1μF,16V
C5011		NCB31CK-104X	CAPACITOR 0.1μF,16V
C5012		NEA70JM-226X	E CAPACITOR 22μF,6.3V
C5034		NCB31CK-104X	CAPACITOR 0.1μF,16V
C5035		NCB31CK-104X	CAPACITOR 0.1μF,16V
C5036		NCB31CK-104X	CAPACITOR 0.1μF,16V
C5037		NEA70JM-226X	E CAPACITOR 22μF,6.3V
C5039		NCB31CK-104X	CAPACITOR 0.1μF,16V
C5045		NCB31CK-473X	CAPACITOR 0.047μF,16V
C5046		NCB31CK-473X	CAPACITOR 0.047μF,16V
C5047		NCB31CK-473X	CAPACITOR 0.047μF,16V
C5048		NEA70JM-226X	E CAPACITOR 22μF,6.3V
C5049		NCB31CK-104X	CAPACITOR 0.1μF,16V
C5050		NCB31CK-104X	CAPACITOR 0.1μF,16V
C5051		NCB31CK-104X	CAPACITOR 0.1μF,16V
C5052		NDC31HJ-102X	CAPACITOR 0.001μF,50V
C5053		NCB31CK-104X	CAPACITOR 0.1μF,16V
C5055		NCB31CK-104X	CAPACITOR 0.1μF,16V
C5056		NCB31CK-104X	CAPACITOR 0.1μF,16V
C5058		NCB20JM-475X	CAPACITOR 4.7μF,6.3V
C5060		NCB31CK-104X	CAPACITOR 0.1μF,16V
C5062		NCB31CK-104X	CAPACITOR 0.1μF,16V
C5063		NCB20JM-475X	CAPACITOR 4.7μF,6.3V

#	△ REF No.	PART No.	PART NAME, DESCRIPTION	
C5064		NCB31CK-104X	CAPACITOR	0.1μF,16V
C5065		NCB31CK-104X	CAPACITOR	0.1μF,16V
C5066		NEA70JM-226X	E CAPACITOR	22μF,6.3V
C5101		QCB1HJ-151	CAPACITOR	150pF,50V
C5501		NCB31EK-103X	CAPACITOR	0.01μF,25V
C5502		NEA71CM-106X	E CAPACITOR	10μF,16V
C5503		NBE21AM-106X	T CAPACITOR	10μF,10V
C5505		NCB31CK-104X	CAPACITOR	0.1μF,16V
C5506		NCB31HK-152X	CAPACITOR	0.0015μF,50V
C5507		NCB31EK-103X	CAPACITOR	0.01μF,25V
C5508		NCB31EK-103X	CAPACITOR	0.01μF,25V
C5509		NCB31EK-103X	CAPACITOR	0.01μF,25V
C5510		NCB31EK-103X	CAPACITOR	0.01μF,25V
C5511		NCB31EK-103X	CAPACITOR	0.01μF,25V
C5512		NCB31EK-103X	CAPACITOR	0.01μF,25V
C5513		NCB31EK-103X	CAPACITOR	0.01μF,25V
C5514		NEA71CM-106X	E CAPACITOR	10μF,16V
C5515		NCB31CK-104X	CAPACITOR	0.1μF,16V
C5516		NCB31CK-104X	CAPACITOR	0.1μF,16V
C5517		NCB31CK-104X	CAPACITOR	0.1μF,16V
C5518		NCB31EK-223X	CAPACITOR	0.022μF,25V
C5519		NCB31EK-223X	CAPACITOR	0.022μF,25V
C5520		NCB31EK-223X	CAPACITOR	0.022μF,25V
C5521		NCF21CZ-105X	CAPACITOR	1μF,16V
C5522		NCB31CK-104X	CAPACITOR	0.1μF,16V
C5523		NCB31CK-104X	CAPACITOR	0.1μF,16V
C5525		NCB31CK-104X	CAPACITOR	0.1μF,16V
C5526		NCB31EK-223X	CAPACITOR	0.022μF,25V
C5527		NCB31CK-473X	CAPACITOR	0.047μF,16V
C5528		NCB31CK-104X	CAPACITOR	0.1μF,16V
C5531		NCB31CK-104X	CAPACITOR	0.1μF,16V
C5532		NEA70JM-226X	E CAPACITOR	22μF,6.3V
C5535		NEA71CM-106X	E CAPACITOR	10μF,16V
C5536		NEA71CM-106X	E CAPACITOR	10μF,16V
C5537		NEA70JM-226X	E CAPACITOR	22μF,6.3V
C5539		NCB31EK-103X	CAPACITOR	0.01μF,25V
C5540		NCB31EK-103X	CAPACITOR	0.01μF,25V
C5541		NCB31CK-104X	CAPACITOR	0.1μF,16V
C5544		NCB31CK-104X	CAPACITOR	0.1μF,16V
C5546		NCB31CK-104X	CAPACITOR	0.1μF,16V
C5547		NCB31CK-104X	CAPACITOR	0.1μF,16V
C5548		NCF21CZ-224X	CAPACITOR	0.22μF,16V
C5549		NCF21CZ-224X	CAPACITOR	0.22μF,16V
C5550		NCF21CZ-224X	CAPACITOR	0.22μF,16V
C5551		NCB31EK-103X	CAPACITOR	0.01μF,25V
C5552		NEA71CM-106X	E CAPACITOR	10μF,16V
L5001		NQL144K-100X	COIL	10μH
L5002		NQL144K-100X	COIL	10μH
L5003		NQL144K-100X	COIL	10μH
L5004		NQL144K-100X	COIL	10μH
L5005		NQL144K-100X	COIL	10μH
L5501		NRSA02J-OR0X	MG RESISTOR	0Ω,1/10W
LC5501		PELN1148-223X	NOISE FILTER	
LC5502		PELN1148-223X	NOISE FILTER	
LC5503		PELN1148-223X	NOISE FILTER	
LC5505		PELN1148-223X	NOISE FILTER	
SD1		LP30467-001A	SHIELD COVER	
QA5501		BA6254FS	TR ARRAY	
CN5001		QGF0501F1-10X	FPC CONNECTOR,(1-10)DV VIDEO	
CN5002		QGF0503F2-26X	FFC/FPC CONNECTOR,(1-26)DV MAIN	
CN5501		QGA2001F2-05V	CONNECTOR,(1-5)REG	

#	△ REF No.	PART No.	PART NAME, DESCRIPTION
CN5502		QGA1201C2-02X	CONNECTOR,(1-2)LOADING MOTOR
CN5503		QGF0504C1-11X	FPC CONNECTOR,(1-11)DV DRUM MOTOR
CN5504		QGF0501F1-18X	FPC CONNECTOR,(1-18)DV CAPSTAN
CN5505		QGA1201C2-04X	CONNECTOR,(1-4)DV ENCODER
CN5506		QGF0503F2-20X	FFC/FPC CONNECTOR,(1-20)DV MAIN
CN5507		QGA1201C2-04X	CONNECTOR,(1-4)DV HOUSING MOTOR

ON SCREEN BOARD ASSEMBLY <17>

PW1	LPA10127-04A	ON SCREEN BOARD ASSY	
IC851	LC74785N-9762	IC (OSD)	
IC852	MM1115XF	IC	
Q853	2SA1576A/QR/-X	TRANSISTOR	
	or 2SB1218A/QR/-X	TRANSISTOR	
	or 2PA1576/R/-X	TRANSISTOR	
Q854	2SC4081/QRS/-X	TRANSISTOR	
	or 2PC4081/R/-X	TRANSISTOR	
	or 2SD1819A/QRS/-X	TRANSISTOR	
Q855	2SC4081/QRS/-X	TRANSISTOR	
	or 2SD1819A/QRS/-X	TRANSISTOR	
	or 2PC4081/R/-X	TRANSISTOR	
Q857	2SA1576A/QR/-X	TRANSISTOR	
	or 2SB1218A/QR/-X	TRANSISTOR	
	or 2PA1576/R/-X	TRANSISTOR	
Q858	2SC4081/QRS/-X	TRANSISTOR	
	or 2PC4081/R/-X	TRANSISTOR	
	or 2SD1819A/QRS/-X	TRANSISTOR	
Q859	2SA1576A/QR/-X	TRANSISTOR	
	or 2SB1218A/QR/-X	TRANSISTOR	
	or 2PA1576/R/-X	TRANSISTOR	
Q860	DTC114EU	TRANSISTOR	
	or PDTCT114EU	TRANSISTOR	
	or RN1302	TRANSISTOR	
	or UN5211	TRANSISTOR	
D851	1SS133	DIODE	
	or 1N4148M	DIODE	
D852	1SS133	DIODE	
	or 1N4148M	DIODE	
D853	1SS133	DIODE	
	or 1N4148M	DIODE	
D854	1SS133	DIODE	
	or 1N4148M	DIODE	
D855	DA204U	DIODE	
R851	QRE141J-102Y	RESISTOR	1kΩ,1/4W
R852	NRSA02J-103X	MG RESISTOR	10kΩ,1/10W
R854	NRSA02J-103X	MG RESISTOR	10kΩ,1/10W
R855	NRSA02J-OR0X	MG RESISTOR	0Ω,1/10W
R856	NRSA02J-103X	MG RESISTOR	10kΩ,1/10W
R857	NRSA02J-OR0X	MG RESISTOR	0Ω,1/10W
R860	NRSA02J-OR0X	MG RESISTOR	0Ω,1/10W
R861	NRSA02J-102X	MG RESISTOR	1kΩ,1/10W
R862	NRSA02J-102X	MG RESISTOR	1kΩ,1/10W
R863	NRSA02J-102X	MG RESISTOR	1kΩ,1/10W
R864	NRSA02J-182X	MG RESISTOR	1.8kΩ,1/10W
R865	NRSA02J-681X	MG RESISTOR	680Ω,1/10W
R866	NRSA02J-681X	MG RESISTOR	680Ω,1/10W
R867	NRSA02J-182X	MG RESISTOR	1.8kΩ,1/10W
R872	NRSA02J-103X	MG RESISTOR	10kΩ,1/10W

#	△ REF No.	PART No.	PART NAME, DESCRIPTION
R873		NRSA02J-0R0X	MG RESISTOR 0Ω,1/10W
R874		NRSA02J-0R0X	MG RESISTOR 0Ω,1/10W
R879		NRSA02J-332X	MG RESISTOR 3.3kΩ,1/10W
R880		NRSA02J-0R0X	MG RESISTOR 0Ω,1/10W
R881		NRSA02J-471X	MG RESISTOR 470Ω,1/10W
R882		NRSA02J-184X	MG RESISTOR 180kΩ,1/10W
R883		NRSA02J-822X	MG RESISTOR 8.2kΩ,1/10W
R884		NRSA02J-272X	MG RESISTOR 2.7kΩ,1/10W
R885		NRSA02J-153X	MG RESISTOR 15kΩ,1/10W
R886		NRSA02J-681X	MG RESISTOR 680Ω,1/10W
R887		NRSA02J-103X	MG RESISTOR 10kΩ,1/10W
R888		NRSA02J-472X	MG RESISTOR 4.7kΩ,1/10W
R889		NRSA02J-472X	MG RESISTOR 4.7kΩ,1/10W
R891		NRSA02J-0R0X	MG RESISTOR 0Ω,1/10W
B852		NRSA02J-0R0X	MG RESISTOR 0Ω,1/10W
B854		NRSA02J-0R0X	MG RESISTOR 0Ω,1/10W
B855		NRSA02J-0R0X	MG RESISTOR 0Ω,1/10W
B860		NRSA02J-0R0X	MG RESISTOR 0Ω,1/10W
B861		NRSA02J-0R0X	MG RESISTOR 0Ω,1/10W
B862		NRSA02J-0R0X	MG RESISTOR 0Ω,1/10W
C851		QEKJ0JM-337	E CAPACITOR 330μF,6.3V
C852		NCB21EK-224X	CAPACITOR 0.22μF,25V
C853		NCB21CK-105X	CAPACITOR 1μF,16V
C854		NCB21HK-103X	CAPACITOR 0.01μF,50V
C856		NCB21CK-105X	CAPACITOR 1μF,16V
C859		NDC21HJ-680X	CAPACITOR 68pF,50V
C860		NCB21HK-103X	CAPACITOR 0.01μF,50V
C861		NDC21HJ-150X	CAPACITOR 15pF,50V
C862		NDC21HJ-820X	CAPACITOR 82pF,50V
C863		NDC21HJ-101X	CAPACITOR 100pF,50V
C865		NCB21HK-103X	CAPACITOR 0.01μF,50V
C867		NDC21HJ-330X	CAPACITOR 33pF,50V
C868		NDC21HJ-330X	CAPACITOR 33pF,50V
C874		NCB21EK-224X	CAPACITOR 0.22μF,25V
C877		QEKJ1CM-476	E CAPACITOR 47μF,16V
C878		NCB21HK-103X	CAPACITOR 0.01μF,50V
C879		NCB21EK-104X	CAPACITOR 0.1μF,25V
C881		NCB21HK-471X	CAPACITOR 470pF,50V
C882		NCB21HK-223X	CAPACITOR 0.022μF,50V
C883		QEKJ1HM-225	E CAPACITOR 2.2μF,50V
C884		NCB21EK-104X	CAPACITOR 0.1μF,25V
C885		NCB21EK-104X	CAPACITOR 0.1μF,25V
C886		NCB21EK-104X	CAPACITOR 0.1μF,25V
L851		QQL01BK-1R0Z	COIL 1μH
L855		QQL071J-220Y	COIL 22μH
L856		QQL071J-151Y	COIL 150μH
L857		QUY153-050Y	IM BUS WIRE
L858		QQL37CJ-220Z	COIL 22μH
L859		QQL29BJ-4R7Z	COIL 4.7μH
T851		PELN0806	LC TRAP
BK1		LP40077-001A	BRACKET(BOARD)
CN851		QGG2502K1-20	HEADER PIN

EJECT SW BOARD ASSEMBLY <27>

PW5	LPA10126-01C5	EJECT SW BOARD ASSY
S7011	QSW0456-002Z	TACT SWITCH,VHS EJECT
FW7005	QUM022-15A4A4	PARA RIBON WIRE

#	△ REF No.	PART No.	PART NAME, DESCRIPTION

SW/DISPLAY BOARD ASSEMBLY <28>

PW1	LPA10126-01C1	SW/DISPLAY BOARD ASSY
IC7001	M35500BGP	IC
	or M35500AGP	IC
	or M35500BFP	IC
IC7002	PNA4652M00XB	IR DETECT UNIT
	or GP1U281X	IR DETECT UNIT
D7002	RD9.1ES/B2/-T2	ZENER DIODE
	or UZ9.1BSB	ZENER DIODE
	or MTZJ9.1B	ZENER DIODE
D7004	1SS133	DIODE
	or 1N4148M	DIODE
D7005	1SS133	DIODE
	or 1N4148M	DIODE
D7006	1SS133	DIODE
	or 1N4148M	DIODE
D7009	SLR-342DU3F	LE DIODE
D7010	SLR-342MG3F	LE DIODE
D7011	SLR-342VR3F	LE DIODE
D7013	SLR-342MG3F	LE DIODE
D7014	SLR-342VR3F	LE DIODE
D7015	SLR-342MG3F	LE DIODE
D7016	SLR-342MG3F	LE DIODE
R7001	QRE141J-471Y	RESISTOR 470Ω,1/4W
R7002	QRE141J-471Y	RESISTOR 470Ω,1/4W
R7003	QRE141J-471Y	RESISTOR 470Ω,1/4W
R7004	QRE141J-471Y	RESISTOR 470Ω,1/4W
R7006	QRE141J-103Y	RESISTOR 10kΩ,1/4W
R7007	QRE141J-103Y	RESISTOR 10kΩ,1/4W
R7008	QRE141J-103Y	RESISTOR 10kΩ,1/4W
R7013	QRE141J-103Y	RESISTOR 10kΩ,1/4W
R7014	QUY153-050Y	IM BUS WIRE
R7015	QUY153-050Y	IM BUS WIRE
R7020	QRE141J-103Y	RESISTOR 10kΩ,1/4W
R7021	QRE141J-122Y	RESISTOR 1.2kΩ,1/4W
R7022	QRE141J-182Y	RESISTOR 1.8kΩ,1/4W
R7023	QRE141J-222Y	RESISTOR 2.2kΩ,1/4W
R7024	QRE141J-272Y	RESISTOR 2.7kΩ,1/4W
R7025	QRE141J-472Y	RESISTOR 4.7kΩ,1/4W
R7026	QRE141J-682Y	RESISTOR 6.8kΩ,1/4W
R7027	QRE141J-153Y	RESISTOR 15kΩ,1/4W
R7028	QRE141J-393Y	RESISTOR 39kΩ,1/4W
R7030	QRE141J-103Y	RESISTOR 10kΩ,1/4W
R7031	QRE141J-122Y	RESISTOR 1.2kΩ,1/4W
R7032	QRE141J-182Y	RESISTOR 1.8kΩ,1/4W
R7033	QRE141J-222Y	RESISTOR 2.2kΩ,1/4W
R7034	QRE141J-272Y	RESISTOR 2.7kΩ,1/4W
R7035	QRE141J-472Y	RESISTOR 4.7kΩ,1/4W
R7036	QRE141J-682Y	RESISTOR 6.8kΩ,1/4W
R7037	QRE141J-153Y	RESISTOR 15kΩ,1/4W
R7038	QRE141J-393Y	RESISTOR 39kΩ,1/4W
R7040	QRE141J-103Y	RESISTOR 10kΩ,1/4W
R7041	QRE141J-122Y	RESISTOR 1.2kΩ,1/4W
R7042	QRE141J-182Y	RESISTOR 1.8kΩ,1/4W
R7051	QRE141J-331Y	RESISTOR 330Ω,1/4W
R7052	QRE141J-331Y	RESISTOR 330Ω,1/4W
R7053	QRE141J-331Y	RESISTOR 330Ω,1/4W
R7054	QRE141J-331Y	RESISTOR 330Ω,1/4W

#	△ REF No.	PART No.	PART NAME, DESCRIPTION	
R7055	QRE141J-331Y		RESISTOR	330Ω,1/4W
R7057	QRE141J-331Y		RESISTOR	330Ω,1/4W
R7058	QRE141J-331Y		RESISTOR	330Ω,1/4W
R7059	QRE141J-331Y		RESISTOR	330Ω,1/4W
C7001	QCFB1HZ-104		CAPACITOR	0.1μF,50V
C7002	QETN1HM-106		E CAPACITOR	10μF,50V
C7007	QKCC0JM-476		E CAPACITOR	47μF,6.3V
C7009	QCSB1HJ-150		CAPACITOR	15pF,50V
C7010	QCFB1HZ-104		CAPACITOR	0.1μF,50V
C7011	QKCC1AM-227		E CAPACITOR	220μF,10V
C7019	QDVB1EZ-223Y		CAPACITOR	0.022μF,25V
L7001	QUY153-050Y		IM BUS WIRE	
S7001	QSW0456-002Z		TACT SWITCH,POWER	
S7002	QSW0456-002Z		TACT SWITCH,CH+	
S7003	QSW0456-002Z		TACT SWITCH,CH-	
S7004	QSW0456-002Z		TACT SWITCH,REC	
S7005	QSW0456-002Z		TACT SWITCH,PAUSE	
S7006	QSW0456-002Z		TACT SWITCH,PLAY	
S7007	QSW0456-002Z		TACT SWITCH,STOP	
S7012	QSW0456-002Z		TACT SWITCH,S-VHS ET	
S7013	QSW0456-002Z		TACT SWITCH,VHS	
S7014	QSW0456-002Z		TACT SWITCH,DV EJECT	
S7015	QSW0456-002Z		TACT SWITCH,RAE/REW	
S7016	QSW0456-002Z		TACT SWITCH,INSERT	
S7017	QSW0456-002Z		TACT SWITCH,A.DUB	
S7018	QSW0456-002Z		TACT SWITCH,IN/OUT	
S7019	QSW0456-002Z		TACT SWITCH,START	
S7021	QSW0456-002Z		TACT SWITCH,DV-VHS	
S7022	QSW0456-002Z		TACT SWITCH,VHS-DV	
S7023	QSW0456-002Z		TACT SWITCH,DUB	
DI7001	QLF0031-002		FL TUBE	
HD1	PQ34949		FDP HOLDER(L),DI7001	
HD2	PQ34950		FDP HOLDER(R),DI7001	
HD3	PQ40795-2-2		LED HOLDER,D7009	
HD4	PQM30038-1-2		LED HOLDER,D7010	
HD5	PQM30038-1-2		LED HOLDER,D7011	
HD6	PQM30038-1-2		LED HOLDER,D7013	
HD7	PQM30038-1-2		LED HOLDER,D7014	
HD8	PQM30038-1-2		LED HOLDER,D7015	
HD9	PQM30038-1-2		LED HOLDER,D7016	
CN7001	QGF1207F1-18		FPC CONNECTOR,(1-18)MAIN	

JACK BOARD ASSEMBLY <36>

PW2	LPA10126-01C2	JACK BOARD ASSY	
D7063	1SS133	DIODE	
	or 1N4148M	DIODE	
D7064	1SS133	DIODE	
	or 1N4148M	DIODE	
D7065	1SS133	DIODE	
	or 1N4148M	DIODE	
D7066	1SS133	DIODE	
	or 1N4148M	DIODE	
R7061	QRE141J-750Y	RESISTOR	75Ω,1/4W
R7063	QRE141J-750Y	RESISTOR	75Ω,1/4W
R7064	QRE141J-750Y	RESISTOR	75Ω,1/4W

#	△ REF No.	PART No.	PART NAME, DESCRIPTION	
C7061	QDYB1CM-103Y		CAPACITOR	0.01μF,16V
C7062	QCBB1HJ-681		CAPACITOR	680pF,50V
C7064	QCBB1HJ-681		CAPACITOR	680pF,50V
L7061	QQL071J-100Y		COIL	10μH
L7062	QQL071J-100Y		COIL	10μH
J7001	QND0085-001		S JACK,S VIDEO	
J7002	PEMC1126-04		PIN JACK,V IN	
J7003	PEMC0922-02		PIN JACK(SW),R IN	
J7004	PEMC0922-03		PIN JACK(SW),L IN	
J7005	PU60659		MINI JACK,R.PAUSE	
WR7001	QUB220-16A4XL		SIN TWIST WIRE	
CN7002	QGF1207F1-16		FPC CONNECTOR,(1-16)VHS MAIN	

LED/SW BOARD ASSEMBLY <47>

PW3	LPA10126-01C3	LED/SW BOARD ASSY
D7012	SLR-342DU3F	LE DIODE
S7010	QSW0456-001Z	TACT SWITCH
FW7003	QUM034-04A4A4	PARA RIBON WIRE

DV MAIN BOARD ASSEMBLY <50>

PW1	LPA10117-03E1	DV MAIN BOARD ASSY
IC1001	MN1021617FN	IC(MCU)
IC1002	TC7W04FU	IC(DIGITAL)
IC1005	S-80823ANNP-W	IC
IC1006	RS5C314	IC
IC1007	25LC160-I/SN-X	IC
	or X25170S8I-2.5-X	IC
IC1008	TC7W08F	IC
IC1009	MM1426CN	IC
IC1010	MM1426CN	IC
IC1501	MN103004KFD	IC(MCU)
IC1502	TC7W14FK	IC
IC2001	JCY0133	IC
IC2002	JCY0136	IC
IC2003	MM1385NN	IC
IC2004	MM1385JN	IC
IC2007	TLC2940IPW	IC
IC3001	JCP8029	IC
IC3101	TC7SH04F	IC(DIGITAL)
IC3102	TC7SH04F	IC(DIGITAL)
IC3151	M62366GP	IC
IC3501	NJM2538V	IC
IC3502	MM1385HN	IC
IC3701	AK4518-VF-X	IC
	or PCM3006	IC
IC3702	BA15218F-XE	IC
IC3703	BA15218F-XE	IC
Q1001	2SC4617/RS-X	TRANSISTOR

#	△ REF No.	PART No.	PART NAME, DESCRIPTION	#	△ REF No.	PART No.	PART NAME, DESCRIPTION
Q1002		2SC4617/RS/-X	TRANSISTOR	R1082		NRSA63J-103X	MG RESISTOR 10kΩ,1/16W
Q1011		2SB1302/ST/-X	TRANSISTOR	R1083		NRSA63J-222X	MG RESISTOR 2.2kΩ,1/16W
Q1012		DTC144EE	TRANSISTOR	R1084		NRSA63J-104X	MG RESISTOR 100kΩ,1/16W
Q1013		2SB1302/ST/-X	TRANSISTOR	R1085		NRSA63J-104X	MG RESISTOR 100kΩ,1/16W
Q1014		DTC144EE	TRANSISTOR	R1091		NRSA63J-103X	MG RESISTOR 10kΩ,1/16W
Q1015		2SB1302/ST/-X	TRANSISTOR	R1092		NRSA63J-102X	MG RESISTOR 1kΩ,1/16W
Q1016		DTC144EE	TRANSISTOR	R1093		NRSA63J-103X	MG RESISTOR 10kΩ,1/16W
Q1017		2SB1302/ST/-X	TRANSISTOR	R1094		NRSA63J-271X	MG RESISTOR 270Ω,1/16W
Q1018		DTC144EE	TRANSISTOR	R1095		NRSA63J-103X	MG RESISTOR 10kΩ,1/16W
Q1501		DTA114EE	TRANSISTOR	R1096		NRSA63J-271X	MG RESISTOR 270Ω,1/16W
Q1602		UMC3N	TRANSISTOR	R1098		NRSA63J-103X	MG RESISTOR 10kΩ,1/16W
Q1603		UMC3N	TRANSISTOR	R1099		NRSA63J-102X	MG RESISTOR 1kΩ,1/16W
Q3101		2SA1576A/RS/-X	TRANSISTOR	R1100		NRSA63J-0R0X	MG RESISTOR 0Ω,1/16W
Q3102		2SA1576A/RS/-X	TRANSISTOR	R1103		NRSA63J-0R0X	MG RESISTOR 0Ω,1/16W
Q3111		2SA1576A/RS/-X	TRANSISTOR	R1105		NRSA63J-0R0X	MG RESISTOR 0Ω,1/16W
Q3112		HN1B04FU/YG/-X	PAIR TRANSISTOR	R1106		NRSA63J-0R0X	MG RESISTOR 0Ω,1/16W
Q3113		2SC4081/RS/-X	TRANSISTOR	R1107		NRSA63J-0R0X	MG RESISTOR 0Ω,1/16W
Q3114		2SC4081/S/-X	TRANSISTOR	R1114		NRSA63J-0R0X	MG RESISTOR 0Ω,1/16W
Q3115		DTC144EE	TRANSISTOR	R1117		NRSA63J-0R0X	MG RESISTOR 0Ω,1/16W
Q3131		2SA1576A/RS/-X	TRANSISTOR	R1118		NRSA63J-0R0X	MG RESISTOR 0Ω,1/16W
Q3132		HN1B04FU/YG/-X	PAIR TRANSISTOR	R1119		NRSA63J-0R0X	MG RESISTOR 0Ω,1/16W
Q3133		2SC4081/RS/-X	TRANSISTOR	R1120		NRSA63J-0R0X	MG RESISTOR 0Ω,1/16W
Q3501		DTC144EE	TRANSISTOR	R1125		NRSA63J-102X	MG RESISTOR 1kΩ,1/16W
Q3502		2SA1576A/RS/-X	TRANSISTOR	R1126		NRSA63J-102X	MG RESISTOR 1kΩ,1/16W
Q3503		2SA1576A/RS/-X	TRANSISTOR	R1501		NRSA63J-0R0X	MG RESISTOR 0Ω,1/16W
D1001		SB007W03Q	SB DIODE	R1502		NRSA63J-0R0X	MG RESISTOR 0Ω,1/16W
D1002		SB007W03Q	SB DIODE	R1503		NRSA63J-0R0X	MG RESISTOR 0Ω,1/16W
D1101		1SS133	DIODE	R1504		NRSA63J-102X	MG RESISTOR 1kΩ,1/16W
D1501		SB007W03Q	SB DIODE	R1505		NRSA63J-0R0X	MG RESISTOR 0Ω,1/16W
D2002		EC2C01C	VARI CAP DIODE	R1506		NRSA63J-0R0X	MG RESISTOR 0Ω,1/16W
D2003		EC2C01C	VARI CAP DIODE	R1514		NRSA63J-0R0X	MG RESISTOR 0Ω,1/16W
D2004		EC2C01C	VARI CAP DIODE	R1515		NRSA63J-0R0X	MG RESISTOR 0Ω,1/16W
R1002		NRSA63J-102X	MG RESISTOR 1kΩ,1/16W	R1516		NRSA63J-0R0X	MG RESISTOR 0Ω,1/16W
R1025		NRSA63J-0R0X	MG RESISTOR 0Ω,1/16W	R1517		NRSA63J-0R0X	MG RESISTOR 0Ω,1/16W
R1027		NRSA63J-104X	MG RESISTOR 100kΩ,1/16W	R1518		NRSA63J-0R0X	MG RESISTOR 0Ω,1/16W
R1028		NRSA63J-0R0X	MG RESISTOR 0Ω,1/16W	R1519		NRSA63J-472X	MG RESISTOR 4.7kΩ,1/16W
R1029		NRSA63J-0R0X	MG RESISTOR 0Ω,1/16W	R1520		NRSA63J-102X	MG RESISTOR 1kΩ,1/16W
R1030		NRSA63J-102X	MG RESISTOR 1kΩ,1/16W	R1521		NRSA63J-222X	MG RESISTOR 2.2kΩ,1/16W
R1031		NRSA63J-102X	MG RESISTOR 1kΩ,1/16W	R1522		NRSA63J-222X	MG RESISTOR 2.2kΩ,1/16W
R1032		NRSA63J-102X	MG RESISTOR 1kΩ,1/16W	R1523		NRSA63J-0R0X	MG RESISTOR 0Ω,1/16W
R1033		NRSA63J-0R0X	MG RESISTOR 0Ω,1/16W	R1524		NRSA63J-0R0X	MG RESISTOR 0Ω,1/16W
R1035		NRSA63J-102X	MG RESISTOR 1kΩ,1/16W	R1525		NRSA63J-0R0X	MG RESISTOR 0Ω,1/16W
R1037		NRSA63J-103X	MG RESISTOR 10kΩ,1/16W	R1526		NRSA63J-0R0X	MG RESISTOR 0Ω,1/16W
R1038		NRSA63J-103X	MG RESISTOR 10kΩ,1/16W	R1527		NRSA63J-0R0X	MG RESISTOR 0Ω,1/16W
R1041		NRSA63J-102X	MG RESISTOR 1kΩ,1/16W	R1528		NRSA63J-0R0X	MG RESISTOR 0Ω,1/16W
R1043		NRSA63J-102X	MG RESISTOR 1kΩ,1/16W	R1535		NRSA63J-332X	MG RESISTOR 3.3kΩ,1/16W
R1045		NRSA63J-102X	MG RESISTOR 1kΩ,1/16W	R1536		NRSA63J-202X	MG RESISTOR 2kΩ,1/16W
R1046		NRSA63J-102X	MG RESISTOR 1kΩ,1/16W	R1537		NRSA63J-332X	MG RESISTOR 3.3kΩ,1/16W
R1047		NRSA63J-102X	MG RESISTOR 1kΩ,1/16W	R1538		NRSA63J-332X	MG RESISTOR 3.3kΩ,1/16W
R1048		NRSA63J-102X	MG RESISTOR 1kΩ,1/16W	R1539		NRSA63J-332X	MG RESISTOR 3.3kΩ,1/16W
R1049		NRSA63J-103X	MG RESISTOR 10kΩ,1/16W	R1540		NRSA63J-0R0X	MG RESISTOR 0Ω,1/16W
R1050		NRSA63J-0R0X	MG RESISTOR 0Ω,1/16W	R1546		NRSA63J-102X	MG RESISTOR 1kΩ,1/16W
R1051		NRSA63J-223X	MG RESISTOR 22kΩ,1/16W	R1547		NRSA63J-0R0X	MG RESISTOR 0Ω,1/16W
R1052		NRSA63J-333X	MG RESISTOR 33kΩ,1/16W	R1552		NRSA63J-0R0X	MG RESISTOR 0Ω,1/16W
R1053		NRSA63J-102X	MG RESISTOR 1kΩ,1/16W	R1553		NRSA63J-0R0X	MG RESISTOR 0Ω,1/16W
R1061		NRSA63J-472X	MG RESISTOR 4.7kΩ,1/16W	R1558		NRSA63J-0R0X	MG RESISTOR 0Ω,1/16W
R1062		NRSA63J-472X	MG RESISTOR 4.7kΩ,1/16W	R1560		NRSA63J-0R0X	MG RESISTOR 0Ω,1/16W
R1063		NRSA63J-103X	MG RESISTOR 10kΩ,1/16W	R1562		NRSA63J-0R0X	MG RESISTOR 0Ω,1/16W
R1064		NRSA63J-472X	MG RESISTOR 4.7kΩ,1/16W	R1563		NRSA63J-0R0X	MG RESISTOR 0Ω,1/16W
R1065		NRSA63J-103X	MG RESISTOR 10kΩ,1/16W	R1564		NRSA63J-0R0X	MG RESISTOR 0Ω,1/16W
R1081		NRSA63J-0R0X	MG RESISTOR 0Ω,1/16W	R1565		NRSA63J-332X	MG RESISTOR 3.3kΩ,1/16W

#	△	REF No.	PART No.	PART NAME, DESCRIPTION	#	△	REF No.	PART No.	PART NAME, DESCRIPTION
R1566			NRSA63J-332X	MG RESISTOR	R2019			NRSA63J-222X	MG RESISTOR
R1567			NRSA63J-332X	MG RESISTOR	R2020			NRSA63J-102X	MG RESISTOR
R1568			NRSA63J-332X	MG RESISTOR	R2021			NRSA63J-102X	MG RESISTOR
R1569			NRSA63J-0R0X	MG RESISTOR	R2022			NRSA63J-103X	MG RESISTOR
R1575			NRSA63J-0R0X	MG RESISTOR	R2023			NRSA63J-103X	MG RESISTOR
R1576			NRSA63J-0R0X	MG RESISTOR	R2027			NRSA63J-224X	MG RESISTOR
R1577			NRSA63J-0R0X	MG RESISTOR	R2033			NRSA63J-242X	MG RESISTOR
R1578			NRSA63J-102X	MG RESISTOR	R2034			NRSA63J-392X	MG RESISTOR
R1579			NRSA63J-102X	MG RESISTOR	R2035			NRSA63J-392X	MG RESISTOR
R1580			NRSA63J-102X	MG RESISTOR	R2036			NRSA63J-560X	MG RESISTOR
R1581			NRSA63J-0R0X	MG RESISTOR	R2037			NRSA63J-560X	MG RESISTOR
R1587			NRSA63J-0R0X	MG RESISTOR	R2038			NRSA63J-560X	MG RESISTOR
R1591			NRSA63J-103X	MG RESISTOR	R2039			NRSA63J-560X	MG RESISTOR
R1592			NRSA63J-103X	MG RESISTOR	R2040			NRSA63J-512X	MG RESISTOR
R1593			NRSA63J-103X	MG RESISTOR	R2041			NRSA63J-103X	MG RESISTOR
R1601			NRSA63J-0R0X	MG RESISTOR	R2042			NRSA63J-103X	MG RESISTOR
R1602			NRSA63J-0R0X	MG RESISTOR	R2043			NRSA63J-105X	MG RESISTOR
R1603			NRSA63J-0R0X	MG RESISTOR	R2044			NRSA63J-0R0X	MG RESISTOR
R1605			NRSA63J-0R0X	MG RESISTOR	R2047			NRSA63J-224X	MG RESISTOR
R1606			NRSA63J-0R0X	MG RESISTOR	R2048			NRSA63J-224X	MG RESISTOR
R1607			NRSA63J-0R0X	MG RESISTOR	R2049			NRSA63J-0R0X	MG RESISTOR
R1608			NRSA63J-0R0X	MG RESISTOR	R2050			NRSA63J-222X	MG RESISTOR
R1609			NRSA63J-0R0X	MG RESISTOR	R2052			NRSA63J-0R0X	MG RESISTOR
R1611			NRSA63J-0R0X	MG RESISTOR	R2053			NRSA63J-0R0X	MG RESISTOR
R1612			NRSA63J-0R0X	MG RESISTOR	R2054			NRSA63J-0R0X	MG RESISTOR
R1613			NRSA63J-0R0X	MG RESISTOR	R2055			NRSA63J-0R0X	MG RESISTOR
R1614			NRSA63J-0R0X	MG RESISTOR	R2056			NRSA63J-0R0X	MG RESISTOR
R1615			NRSA63J-0R0X	MG RESISTOR	R2057			NRSA63J-0R0X	MG RESISTOR
R1616			NRSA63J-0R0X	MG RESISTOR	R2058			NRSA63J-0R0X	MG RESISTOR
R1617			NRSA63J-0R0X	MG RESISTOR	R2059			NRSA63J-0R0X	MG RESISTOR
R1618			NRSA63J-0R0X	MG RESISTOR	R2060			NRSA63J-0R0X	MG RESISTOR
R1619			NRSA63J-0R0X	MG RESISTOR	R2061			NRSA63J-0R0X	MG RESISTOR
R1631			NRSA63J-331X	MG RESISTOR	R2062			NRSA63J-0R0X	MG RESISTOR
R1636			NRSA63J-0R0X	MG RESISTOR	R2082			NRSA63J-0R0X	MG RESISTOR
R1641			NRSA63J-0R0X	MG RESISTOR	R2083			NRSA63J-0R0X	MG RESISTOR
R1642			NRSA63J-0R0X	MG RESISTOR	R2084			NRSA63J-0R0X	MG RESISTOR
R1644			NRSA63J-0R0X	MG RESISTOR	R2085			NRSA63J-0R0X	MG RESISTOR
R1645			NRSA63J-0R0X	MG RESISTOR	R2086			NRSA63J-0R0X	MG RESISTOR
R1646			NRSA63J-0R0X	MG RESISTOR	R2087			NRSA63J-105X	MG RESISTOR
R1647			NRSA63J-0R0X	MG RESISTOR	R2088			NRSA63J-105X	MG RESISTOR
R1648			NRSA63J-0R0X	MG RESISTOR	R2089			NRSA63J-0R0X	MG RESISTOR
R1649			NRSA63J-0R0X	MG RESISTOR	R2090			NRSA63J-102X	MG RESISTOR
R1650			NRSA63J-0R0X	MG RESISTOR	R2091			NRSA63J-102X	MG RESISTOR
R1651			NRSA63J-0R0X	MG RESISTOR	R2092			NRSA63J-102X	MG RESISTOR
R1653			NRSA63J-0R0X	MG RESISTOR	R2093			NRSA63J-102X	MG RESISTOR
R1655			NRSA63J-0R0X	MG RESISTOR	R2094			NRSA63J-102X	MG RESISTOR
R1661			NRSA63J-101X	MG RESISTOR	R2098			NQR0146-004X	FERRITE BEAD
R1663			NRSA63J-330X	MG RESISTOR	R2101			NRSA63J-0R0X	MG RESISTOR
R1665			NRSA63J-683X	MG RESISTOR	R2102			NRSA63J-0R0X	MG RESISTOR
R1666			NRSA63J-683X	MG RESISTOR	R2103			NRSA63J-0R0X	MG RESISTOR
R1667			NRSA63J-102X	MG RESISTOR	R2104			NRSA63J-0R0X	MG RESISTOR
R1668			NRSA63J-102X	MG RESISTOR	R2106			NRSA63J-0R0X	MG RESISTOR
R2010			NRSA63J-0R0X	MG RESISTOR	R2107			NRSA63J-0R0X	MG RESISTOR
R2011			NRSA63J-151X	MG RESISTOR	R2108			NRSA63J-101X	MG RESISTOR
R2012			NRSA63J-332X	MG RESISTOR	R2109			NRSA63J-101X	MG RESISTOR
R2013			NRSA63J-151X	MG RESISTOR	R2110			NRSA63J-101X	MG RESISTOR
R2014			NRSA63J-332X	MG RESISTOR	R2112			NRSA63J-0R0X	MG RESISTOR
R2015			NRSA63J-0R0X	MG RESISTOR	R2113			NRSA63J-0R0X	MG RESISTOR
R2016			NRSA63J-105X	MG RESISTOR	R2114			NRSA63J-0R0X	MG RESISTOR
R2017			NRSA63J-220X	MG RESISTOR	R2115			NRSA63J-0R0X	MG RESISTOR
R2018			NRSA63J-562X	MG RESISTOR	R2116			NRSA63J-0R0X	MG RESISTOR

#	△ REF No.	PART No.	PART NAME, DESCRIPTION	#	△ REF No.	PART No.	PART NAME, DESCRIPTION
R2117		NRSA63J-0R0X	MG RESISTOR 0Ω,1/16W	R3119		NRSA63J-563X	MG RESISTOR 56kΩ,1/16W
R2118		NRSA63J-0R0X	MG RESISTOR 0Ω,1/16W	R3120		NRSA63J-681X	MG RESISTOR 680Ω,1/16W
R2119		NRSA63J-0R0X	MG RESISTOR 0Ω,1/16W	R3121		NRVA63D-821X	CMF RESISTOR 820Ω,1/16W
R2121		NRSA63J-0R0X	MG RESISTOR 0Ω,1/16W	R3122		NRVA63D-821X	CMF RESISTOR 820Ω,1/16W
R2122		NRSA63J-0R0X	MG RESISTOR 0Ω,1/16W	R3123		NRSA63J-271X	MG RESISTOR 270Ω,1/16W
R2123		NRSA63J-0R0X	MG RESISTOR 0Ω,1/16W	R3124		NRSA63J-474X	MG RESISTOR 470kΩ,1/16W
R2124		NRSA63J-0R0X	MG RESISTOR 0Ω,1/16W	R3125		NRSA63J-331X	MG RESISTOR 330Ω,1/16W
R2125		NRSA63J-0R0X	MG RESISTOR 0Ω,1/16W	R3131		NRSA63J-563X	MG RESISTOR 56kΩ,1/16W
R2126		NRSA63J-0R0X	MG RESISTOR 0Ω,1/16W	R3132		NRSA63J-473X	MG RESISTOR 47kΩ,1/16W
R2140		NRSA63J-0R0X	MG RESISTOR 0Ω,1/16W	R3133		NRSA63J-220X	MG RESISTOR 22Ω,1/16W
R2141		NRSA63J-102X	MG RESISTOR 1kΩ,1/16W	R3134		NRSA63J-681X	MG RESISTOR 680Ω,1/16W
R2142		NRSA63J-102X	MG RESISTOR 1kΩ,1/16W	R3135		NRSA63J-821X	MG RESISTOR 820Ω,1/16W
R2145		NRSA63J-561X	MG RESISTOR 560Ω,1/16W	R3136		NRSA63J-183X	MG RESISTOR 18kΩ,1/16W
R2146		NRSA63J-392X	MG RESISTOR 3.9kΩ,1/16W	R3137		NRSA63J-222X	MG RESISTOR 2.2kΩ,1/16W
R2149		NRSA63J-0R0X	MG RESISTOR 0Ω,1/16W	R3138		NRSA63J-473X	MG RESISTOR 47kΩ,1/16W
R2150		NRSA63J-222X	MG RESISTOR 2.2kΩ,1/16W	R3139		NRSA63J-393X	MG RESISTOR 39kΩ,1/16W
R3003		NRSA63J-821X	MG RESISTOR 820Ω,1/16W	R3140		NRSA63J-681X	MG RESISTOR 680Ω,1/16W
R3004		NRSA63J-271X	MG RESISTOR 270Ω,1/16W	R3141		NRVA63D-821X	CMF RESISTOR 820Ω,1/16W
R3005		NRSA63J-101X	MG RESISTOR 100Ω,1/16W	R3142		NRSA63J-102X	MG RESISTOR 1kΩ,1/16W
R3007		NRSA63J-0R0X	MG RESISTOR 0Ω,1/16W	R3143		NRSA63J-271X	MG RESISTOR 270Ω,1/16W
R3008		NRSA63J-152X	MG RESISTOR 1.5kΩ,1/16W	R3161		NRSA63J-105X	MG RESISTOR 1MΩ,1/16W
R3024		NRSA63J-0R0X	MG RESISTOR 0Ω,1/16W	R3162		NRSA63J-221X	MG RESISTOR 220Ω,1/16W
R3025		NRSA63J-0R0X	MG RESISTOR 0Ω,1/16W	R3163		NRSA63J-0R0X	MG RESISTOR 0Ω,1/16W
R3026		NRSA63J-0R0X	MG RESISTOR 0Ω,1/16W	R3164		NRSA63J-0R0X	MG RESISTOR 0Ω,1/16W
R3027		NRSA63J-0R0X	MG RESISTOR 0Ω,1/16W	R3501		NRSA63J-225X	MG RESISTOR 2.2MΩ,1/16W
R3028		NRSA63J-0R0X	MG RESISTOR 0Ω,1/16W	R3502		NRSA63J-103X	MG RESISTOR 10kΩ,1/16W
R3029		NRSA63J-0R0X	MG RESISTOR 0Ω,1/16W	R3503		NRSA63J-103X	MG RESISTOR 10kΩ,1/16W
R3032		NRSA63J-0R0X	MG RESISTOR 0Ω,1/16W	R3504		NRSA63J-121X	MG RESISTOR 120Ω,1/16W
R3033		NRSA63J-0R0X	MG RESISTOR 0Ω,1/16W	R3505		NRSA63J-680X	MG RESISTOR 68Ω,1/16W
R3034		NRSA63J-0R0X	MG RESISTOR 0Ω,1/16W	R3506		NRSA63J-750X	MG RESISTOR 75Ω,1/16W
R3035		NRSA63J-0R0X	MG RESISTOR 0Ω,1/16W	R3507		NRSA63J-680X	MG RESISTOR 68Ω,1/16W
R3048		NRSA63J-0R0X	MG RESISTOR 0Ω,1/16W	R3508		NRSA63J-750X	MG RESISTOR 75Ω,1/16W
R3054		NRSA63J-0R0X	MG RESISTOR 0Ω,1/16W	R3509		NRSA63J-224X	MG RESISTOR 220kΩ,1/16W
R3056		NRSA63J-0R0X	MG RESISTOR 0Ω,1/16W	R3510		NRSA63J-103X	MG RESISTOR 10kΩ,1/16W
R3057		NRSA63J-0R0X	MG RESISTOR 0Ω,1/16W	R3511		NRSA63J-203X	MG RESISTOR 20kΩ,1/16W
R3058		NRSA63J-0R0X	MG RESISTOR 0Ω,1/16W	R3512		NRSA63J-103X	MG RESISTOR 10kΩ,1/16W
R3064		NRSA63J-0R0X	MG RESISTOR 0Ω,1/16W	R3521		NRSA63J-621X	MG RESISTOR 620Ω,1/16W
R3065		NRSA63J-0R0X	MG RESISTOR 0Ω,1/16W	R3522		NRSA63J-472X	MG RESISTOR 4.7kΩ,1/16W
R3069		NRSA63J-0R0X	MG RESISTOR 0Ω,1/16W	R3523		NRSA63J-332X	MG RESISTOR 3.3kΩ,1/16W
R3070		NRSA63J-0R0X	MG RESISTOR 0Ω,1/16W	R3524		NRSA63J-222X	MG RESISTOR 2.2kΩ,1/16W
R3071		NRSA63J-0R0X	MG RESISTOR 0Ω,1/16W	R3526		NRSA63J-681X	MG RESISTOR 680Ω,1/16W
R3073		NRSA63J-272X	MG RESISTOR 2.7kΩ,1/16W	R3527		NRSA63J-472X	MG RESISTOR 4.7kΩ,1/16W
R3074		NRSA63J-821X	MG RESISTOR 820Ω,1/16W	R3528		NRSA63J-332X	MG RESISTOR 3.3kΩ,1/16W
R3076		NRSA63J-101X	MG RESISTOR 100Ω,1/16W	R3529		NRSA63J-222X	MG RESISTOR 2.2kΩ,1/16W
R3078		NRSA63J-152X	MG RESISTOR 1.5kΩ,1/16W	R3532		NRSA63J-0R0X	MG RESISTOR 0Ω,1/16W
R3079		NRSA63J-272X	MG RESISTOR 2.7kΩ,1/16W	R3534		NRSA63J-0R0X	MG RESISTOR 0Ω,1/16W
R3080		NRSA63J-0R0X	MG RESISTOR 0Ω,1/16W	R3701		NRSA63J-153X	MG RESISTOR 15kΩ,1/16W
R3101		NRSA63J-0R0X	MG RESISTOR 0Ω,1/16W	R3702		NRSA63J-153X	MG RESISTOR 15kΩ,1/16W
R3102		NRSA63J-102X	MG RESISTOR 1kΩ,1/16W	R3703		NRSA63J-822X	MG RESISTOR 8.2kΩ,1/16W
R3103		NRSA63J-331X	MG RESISTOR 330Ω,1/16W	R3704		NRSA63J-822X	MG RESISTOR 8.2kΩ,1/16W
R3104		NRSA63J-0R0X	MG RESISTOR 0Ω,1/16W	R3705		NRSA63J-0R0X	MG RESISTOR 0Ω,1/16W
R3105		NRSA63J-102X	MG RESISTOR 1kΩ,1/16W	R3709		NRSA63J-100X	MG RESISTOR 10Ω,1/16W
R3106		NRSA63J-271X	MG RESISTOR 270Ω,1/16W	R3711		NRSA63J-302X	MG RESISTOR 3kΩ,1/16W
R3111		NRSA63J-563X	MG RESISTOR 56kΩ,1/16W	R3712		NRSA63J-302X	MG RESISTOR 3kΩ,1/16W
R3112		NRSA63J-473X	MG RESISTOR 47kΩ,1/16W	R3713		NRSA63J-102X	MG RESISTOR 1kΩ,1/16W
R3113		NRSA63J-220X	MG RESISTOR 22Ω,1/16W	R3714		NRSA63J-102X	MG RESISTOR 1kΩ,1/16W
R3114		NRSA63J-681X	MG RESISTOR 680Ω,1/16W	R3715		NRSA63J-0R0X	MG RESISTOR 0Ω,1/16W
R3115		NRSA63J-821X	MG RESISTOR 820Ω,1/16W	R3716		NRSA63J-103X	MG RESISTOR 10kΩ,1/16W
R3116		NRSA63J-103X	MG RESISTOR 10kΩ,1/16W	R3717		NRSA63J-103X	MG RESISTOR 10kΩ,1/16W
R3117		NRSA63J-222X	MG RESISTOR 2.2kΩ,1/16W	R3718		NRSA63J-0R0X	MG RESISTOR 0Ω,1/16W
R3118		NRSA63J-473X	MG RESISTOR 47kΩ,1/16W	R3719		NRSA63J-102X	MG RESISTOR 1kΩ,1/16W

#	△	REF No.	PART No.	PART NAME, DESCRIPTION	#	△	REF No.	PART No.	PART NAME, DESCRIPTION	
R3720			NRSA63J-102X	MG RESISTOR	1kΩ,1/16W	C1063		NEA70JM-107X	E CAPACITOR	100μF,6.3V
R3721			NRSA63J-221X	MG RESISTOR	220Ω,1/16W	C1064		NCB31CK-104X	CAPACITOR	0.1μF,16V
R3722			NRSA63J-272X	MG RESISTOR	2.7kΩ,1/16W	C1067		NCB31CK-104X	CAPACITOR	0.1μF,16V
R3723			NRSA63J-102X	MG RESISTOR	1kΩ,1/16W	C1068		NCB31CK-104X	CAPACITOR	0.1μF,16V
R3726			NRSA63J-102X	MG RESISTOR	1kΩ,1/16W	C1069		NEA70JM-226X	E CAPACITOR	22μF,6.3V
R3727			NRSA63J-272X	MG RESISTOR	2.7kΩ,1/16W	C1070		NEA70JM-226X	E CAPACITOR	22μF,6.3V
R3728			NRSA63J-221X	MG RESISTOR	220Ω,1/16W	C1501		NCB31CK-104X	CAPACITOR	0.1μF,16V
R3731			NRSA63J-0R0X	MG RESISTOR	0Ω,1/16W	C1502		NCB31CK-104X	CAPACITOR	0.1μF,16V
R3732			NRSA63J-0R0X	MG RESISTOR	0Ω,1/16W	C1504		NCB31CK-104X	CAPACITOR	0.1μF,16V
R3733			NRSA63J-0R0X	MG RESISTOR	0Ω,1/16W	C1505		NCB31EK-103X	CAPACITOR	0.01μF,25V
R3734			NRSA63J-0R0X	MG RESISTOR	0Ω,1/16W	C1506		NCB31EK-103X	CAPACITOR	0.01μF,25V
R3735			NRSA63J-0R0X	MG RESISTOR	0Ω,1/16W	C1507		NCB31EK-103X	CAPACITOR	0.01μF,25V
R3736			NRSA63J-0R0X	MG RESISTOR	0Ω,1/16W	C1508		NCB31CK-104X	CAPACITOR	0.1μF,16V
R3740			NRSA63J-221X	MG RESISTOR	220Ω,1/16W	C1509		NEA70JM-476X	E CAPACITOR	47μF,6.3V
R4001			NRSA63J-0R0X	MG RESISTOR	0Ω,1/16W	C1510		NEA70JM-476X	E CAPACITOR	47μF,6.3V
R4002			NRSA63J-0R0X	MG RESISTOR	0Ω,1/16W	C1515		NCB31EK-223X	CAPACITOR	0.022μF,25V
R4011			NRSA63J-103X	MG RESISTOR	10kΩ,1/16W	C1516		NCB31EK-223X	CAPACITOR	0.022μF,25V
RA1001			NRZ0040-102X	NETWORK RESISTOR		C1517		NCB31EK-223X	CAPACITOR	0.022μF,25V
RA1002			NRZ0040-102X	NETWORK RESISTOR		C1518		NCB31EK-223X	CAPACITOR	0.022μF,25V
RA1003			NRZ0040-102X	NETWORK RESISTOR		C1521		NCB31CK-104X	CAPACITOR	0.1μF,16V
RA1004			NRZ0040-102X	NETWORK RESISTOR		C1522		NCB31CK-104X	CAPACITOR	0.1μF,16V
RA1005			NRZ0040-104X	NETWORK RESISTOR		C1523		NCB31CK-104X	CAPACITOR	0.1μF,16V
RA1006			NRZ0040-104X	NETWORK RESISTOR		C2001		NCB31CK-104X	CAPACITOR	0.1μF,16V
RA1501			NRZ0040-0R0X	NETWORK RESISTOR		C2002		NCB31CK-104X	CAPACITOR	0.1μF,16V
RA1502			NRZ0040-0R0X	NETWORK RESISTOR		C2003		NCB31CK-104X	CAPACITOR	0.1μF,16V
RA1503			NRZ0040-0R0X	NETWORK RESISTOR		C2005		NCB31CK-104X	CAPACITOR	0.1μF,16V
RA1504			NRZ0040-0R0X	NETWORK RESISTOR		C2006		NCB31CK-104X	CAPACITOR	0.1μF,16V
RA1505			NRZ0040-102X	NETWORK RESISTOR		C2007		NCB31CK-104X	CAPACITOR	0.1μF,16V
RA1506			NRZ0040-102X	NETWORK RESISTOR		C2008		NDC31HJ-120X	CAPACITOR	12pF,50V
RA1507			NRZ0040-102X	NETWORK RESISTOR		C2009		NDC31HJ-120X	CAPACITOR	12pF,50V
RA1508			NRZ0040-102X	NETWORK RESISTOR		C2010		NCB31CK-104X	CAPACITOR	0.1μF,16V
RA1509			NRZ0040-102X	NETWORK RESISTOR		C2011		NCB31CK-104X	CAPACITOR	0.1μF,16V
RA1510			NRZ0040-473X	NETWORK RESISTOR		C2014		NDC31HJ-390X	CAPACITOR	39pF,50V
RA4001			NRZ0040-0R0X	NETWORK RESISTOR		C2015		NDC31HJ-102X	CAPACITOR	0.001μF,50V
RA4002			NRZ0040-0R0X	NETWORK RESISTOR		C2016		NCB31CK-104X	CAPACITOR	0.1μF,16V
C1001			NCB31CK-104X	CAPACITOR	0.1μF,16V	C2017		NCF21CZ-105X	CAPACITOR	1μF,16V
C1002			NCB31CK-104X	CAPACITOR	0.1μF,16V	C2018		NCB31EK-472X	CAPACITOR	0.0047μF,25V
C1006			NCB31CK-104X	CAPACITOR	0.1μF,16V	C2019		NDC31HJ-271X	CAPACITOR	270pF,50V
C1007			NCB31CK-104X	CAPACITOR	0.1μF,16V	C2020		NCB31CK-104X	CAPACITOR	0.1μF,16V
C1008			NCB31CK-104X	CAPACITOR	0.1μF,16V	C2022		NCB31CK-104X	CAPACITOR	0.1μF,16V
C1010			NCB31CK-104X	CAPACITOR	0.1μF,16V	C2023		NCB31CK-104X	CAPACITOR	0.1μF,16V
C1011			NCB31CK-104X	CAPACITOR	0.1μF,16V	C2024		NDC31HJ-6R0X	CAPACITOR	6pF,50V
C1021			NCB31CK-104X	CAPACITOR	0.1μF,16V	C2025		NDC31HJ-6R0X	CAPACITOR	6pF,50V
C1041			NCB31CK-104X	CAPACITOR	0.1μF,16V	C2026		NDC31HJ-102X	CAPACITOR	0.001μF,50V
C1042			NCB31CK-104X	CAPACITOR	0.1μF,16V	C2027		NDC31HJ-390X	CAPACITOR	39pF,50V
C1043			NDC31HJ-120X	CAPACITOR	12pF,50V	C2028		NDC31HJ-102X	CAPACITOR	0.001μF,50V
C1044			NDC31HJ-120X	CAPACITOR	12pF,50V	C2029		NDC31HJ-330X	CAPACITOR	33pF,50V
C1045			NCB31CK-104X	CAPACITOR	0.1μF,16V	C2031		NCB31CK-104X	CAPACITOR	0.1μF,16V
C1047			NBE21AM-106X	T CAPACITOR	10μF,10V	C2032		NCB31CK-104X	CAPACITOR	0.1μF,16V
C1051			NEA70JM-226X	E CAPACITOR	22μF,6.3V	C2033		NCB31CK-104X	CAPACITOR	0.1μF,16V
C1052			NCB31CK-104X	CAPACITOR	0.1μF,16V	C2036		NCB31CK-104X	CAPACITOR	0.1μF,16V
C1053			NEA70JM-226X	E CAPACITOR	22μF,6.3V	C2037		NCB31CK-104X	CAPACITOR	0.1μF,16V
C1054			NCB31CK-104X	CAPACITOR	0.1μF,16V	C2038		NCB31CK-104X	CAPACITOR	0.1μF,16V
C1055			NEA70JM-107X	E CAPACITOR	100μF,6.3V	C2039		NCB31CK-104X	CAPACITOR	0.1μF,16V
C1056			NCB31CK-104X	CAPACITOR	0.1μF,16V	C2040		NCB31CK-104X	CAPACITOR	0.1μF,16V
C1057			NEA70JM-107X	E CAPACITOR	100μF,6.3V	C2041		NCB31CK-104X	CAPACITOR	0.1μF,16V
C1058			NCB31CK-104X	CAPACITOR	0.1μF,16V	C2042		NCB31CK-104X	CAPACITOR	0.1μF,16V
C1059			NEA70JM-226X	E CAPACITOR	22μF,6.3V	C2043		NCB31CK-104X	CAPACITOR	0.1μF,16V
C1060			NCB31CK-104X	CAPACITOR	0.1μF,16V	C2044		NCB31CK-104X	CAPACITOR	0.1μF,16V
C1061			NCB31CK-104X	CAPACITOR	0.1μF,16V	C2051		NEA70JM-226X	E CAPACITOR	22μF,6.3V
C1062			NCB31CK-104X	CAPACITOR	0.1μF,16V	C2052		NCF21CZ-105X	CAPACITOR	1μF,16V

#	△ REF No.	PART No.	PART NAME, DESCRIPTION	#	△ REF No.	PART No.	PART NAME, DESCRIPTION
C2053		NCB31CK-104X	CAPACITOR 0.1μF,16V	C3127		NCB31CK-104X	CAPACITOR 0.1μF,16V
C2054		NEA70JM-226X	E CAPACITOR 22μF,6.3V	C3128		NCB31CK-104X	CAPACITOR 0.1μF,16V
C2055		NEA70JM-226X	E CAPACITOR 22μF,6.3V	C3131		NEA70JM-226X	E CAPACITOR 22μF,6.3V
C2056		NCB31CK-104X	CAPACITOR 0.1μF,16V	C3132		NCB31CK-104X	CAPACITOR 0.1μF,16V
C2057		NCF21CZ-105X	CAPACITOR 1μF,16V	C3140		NCB31CK-104X	CAPACITOR 0.1μF,16V
C2058		NEA70JM-226X	E CAPACITOR 22μF,6.3V	C3141		NCB31CK-104X	CAPACITOR 0.1μF,16V
C2059		NEA70JM-226X	E CAPACITOR 22μF,6.3V	C3142		NDC31HJ-8R0X	CAPACITOR 8pF,50V
C2060		NCB31CK-104X	CAPACITOR 0.1μF,16V	C3143		NDC31HJ-8R0X	CAPACITOR 8pF,50V
C2061		NCF21CZ-105X	CAPACITOR 1μF,16V	C3501		NCB31CK-104X	CAPACITOR 0.1μF,16V
C2062		NEA70JM-226X	E CAPACITOR 22μF,6.3V	C3502		NCB31CK-104X	CAPACITOR 0.1μF,16V
C2101		NCB31CK-104X	CAPACITOR 0.1μF,16V	C3503		NCB31CK-104X	CAPACITOR 0.1μF,16V
C2102		NDC31HJ-151X	CAPACITOR 150pF,50V	C3504		NEA70JM-226X	E CAPACITOR 22μF,6.3V
C2104		NCB31EK-473X	CAPACITOR 0.047μF,25V	C3505		NEA70JM-107X	E CAPACITOR 100μF,6.3V
C2105		NBE21AM-106X	T CAPACITOR 10μF,10V	C3506		NEA70JM-226X	E CAPACITOR 22μF,6.3V
C2106		NCF21CZ-105X	CAPACITOR 1μF,16V	C3507		NDC31HJ-220X	CAPACITOR 22pF,50V
C2107		NCB31CK-104X	CAPACITOR 0.1μF,16V	C3508		NDC31HJ-220X	CAPACITOR 22pF,50V
C2108		NEA70JM-226X	E CAPACITOR 22μF,6.3V	C3509		NCB31CK-104X	CAPACITOR 0.1μF,16V
C2109		NEA70JM-226X	E CAPACITOR 22μF,6.3V	C3510		NCB31CK-104X	CAPACITOR 0.1μF,16V
C2110		NEA70JM-226X	E CAPACITOR 22μF,6.3V	C3511		NCB31CK-104X	CAPACITOR 0.1μF,16V
C2111		NCF21CZ-105X	CAPACITOR 1μF,16V	C3512		NRSA63J-0R0X	MG RESISTOR 0Ω,1/16W
C2112		NEA70JM-226X	E CAPACITOR 22μF,6.3V	C3513		NCB31CK-104X	CAPACITOR 0.1μF,16V
C2113		NCB31CK-104X	CAPACITOR 0.1μF,16V	C3514		NCB31CK-104X	CAPACITOR 0.1μF,16V
C2114		NCB31EK-103X	CAPACITOR 0.01μF,25V	C3515		NEA70JM-226X	E CAPACITOR 22μF,6.3V
C2115		NCB31CK-104X	CAPACITOR 0.1μF,16V	C3520		NEA70JM-107X	E CAPACITOR 100μF,6.3V
C3001		NCB31CK-104X	CAPACITOR 0.1μF,16V	C3521		NEA70JM-107X	E CAPACITOR 100μF,6.3V
C3002		NCB31CK-104X	CAPACITOR 0.1μF,16V	C3522		NCB31CK-104X	CAPACITOR 0.1μF,16V
C3003		NCB31CK-104X	CAPACITOR 0.1μF,16V	C3523		NEA70JM-226X	E CAPACITOR 22μF,6.3V
C3004		NCB31CK-104X	CAPACITOR 0.1μF,16V	C3524		NCB31CK-104X	CAPACITOR 0.1μF,16V
C3005		NCB31CK-104X	CAPACITOR 0.1μF,16V	C3525		NBE21AM-106X	T CAPACITOR 10μF,10V
C3006		NCB31CK-104X	CAPACITOR 0.1μF,16V	C3531		NDC31HJ-120X	CAPACITOR 12pF,50V
C3007		NCB31CK-104X	CAPACITOR 0.1μF,16V	C3532		NDC31HJ-150X	CAPACITOR 15pF,50V
C3008		NCB31CK-104X	CAPACITOR 0.1μF,16V	C3533		NDC31HJ-470X	CAPACITOR 47pF,50V
C3009		NCB31CK-104X	CAPACITOR 0.1μF,16V	C3534		NDC31HJ-390X	CAPACITOR 39pF,50V
C3010		NCB31CK-104X	CAPACITOR 0.1μF,16V	C3535		NCB31CK-104X	CAPACITOR 0.1μF,16V
C3011		NEA70JM-226X	E CAPACITOR 22μF,6.3V	C3536		NDC31HJ-120X	CAPACITOR 12pF,50V
C3012		NCB31CK-104X	CAPACITOR 0.1μF,16V	C3537		NDC31HJ-150X	CAPACITOR 15pF,50V
C3013		NCB31CK-104X	CAPACITOR 0.1μF,16V	C3538		NDC31HJ-470X	CAPACITOR 47pF,50V
C3014		NCB31CK-104X	CAPACITOR 0.1μF,16V	C3539		NDC31HJ-390X	CAPACITOR 39pF,50V
C3015		NCB31CK-104X	CAPACITOR 0.1μF,16V	C3540		NCB31CK-104X	CAPACITOR 0.1μF,16V
C3016		NCB31CK-104X	CAPACITOR 0.1μF,16V	C3701		NCF21CZ-105X	CAPACITOR 1μF,16V
C3017		NCB31CK-104X	CAPACITOR 0.1μF,16V	C3702		NCF21CZ-105X	CAPACITOR 1μF,16V
C3101		NCB31CK-104X	CAPACITOR 0.1μF,16V	C3703		NCB31CK-104X	CAPACITOR 0.1μF,16V
C3102		QEKJ0JM-337	E CAPACITOR 330μF,6.3V	C3704		NEA71CM-106X	E CAPACITOR 10μF,16V
C3103		NCB31CK-104X	CAPACITOR 0.1μF,16V	C3705		NDC31HJ-151X	CAPACITOR 150pF,50V
C3106		NEA70JM-226X	E CAPACITOR 22μF,6.3V	C3706		NCB31CK-104X	CAPACITOR 0.1μF,16V
C3107		NCB31CK-104X	CAPACITOR 0.1μF,16V	C3707		NCB31CK-104X	CAPACITOR 0.1μF,16V
C3108		NEA70JM-226X	E CAPACITOR 22μF,6.3V	C3708		NDC31HJ-151X	CAPACITOR 150pF,50V
C3109		NCB31CK-104X	CAPACITOR 0.1μF,16V	C3709		NEA71CM-106X	E CAPACITOR 10μF,16V
C3111		NCB31CK-104X	CAPACITOR 0.1μF,16V	C3710		NCB31CK-104X	CAPACITOR 0.1μF,16V
C3112		NEA70JM-476X	E CAPACITOR 47μF,6.3V	C3711		NEA71CM-106X	E CAPACITOR 10μF,16V
C3113		NDC31HJ-220X	CAPACITOR 22pF,50V	C3712		NEA71CM-106X	E CAPACITOR 10μF,16V
C3114		NDC31HJ-8R0X	CAPACITOR 8pF,50V	C3713		NCB31CK-104X	CAPACITOR 0.1μF,16V
C3115		NDC31HJ-220X	CAPACITOR 22pF,50V	C3714		NEA71CM-106X	E CAPACITOR 10μF,16V
C3116		NCB20JM-475X	CAPACITOR 4.7μF,6.3V	C3715		NCB31CK-104X	CAPACITOR 0.1μF,16V
C3118		NCB21CK-334X	CAPACITOR 0.33μF,16V	C3716		NCB31CK-104X	CAPACITOR 0.1μF,16V
C3119		NCB31CK-104X	CAPACITOR 0.1μF,16V	C3717		NEA71CM-106X	E CAPACITOR 10μF,16V
C3121		NCB31CK-104X	CAPACITOR 0.1μF,16V	C3718		NEA71CM-106X	E CAPACITOR 10μF,16V
C3122		NDC31HJ-8R0X	CAPACITOR 8pF,50V	C3725		NCB31HK-332X	CAPACITOR 0.0033μF,50V
C3124		NDC31HJ-120X	CAPACITOR 12pF,50V	C3726		NCB31HK-682X	CAPACITOR 0.0068μF,50V
C3125		NCB20JM-475X	CAPACITOR 4.7μF,6.3V	C3728		NCB31CK-104X	CAPACITOR 0.1μF,16V
C3126		NRSA63J-822X	MG RESISTOR 8.2kΩ,1/16W	C3729		NEA71CM-476X	E CAPACITOR 47μF,16V

#	△ REF No.	PART No.	PART NAME, DESCRIPTION	
C3730		NEA71CM-476X	E CAPACITOR	47μF,16V
C3731		NCB31CK-104X	CAPACITOR	0.1μF,16V
C3733		NCB31HK-332X	CAPACITOR	0.0033μF,50V
C3734		NCB31HK-682X	CAPACITOR	0.0068μF,50V
L1011		NQL144K-100X	COIL	10μH
L1012		NQL17CM-390X	COIL	39μH
L1013		NQL17CM-390X	COIL	39μH
L1015		NQL17CM-390X	COIL	39μH
L1018		NQL17CM-390X	COIL	39μH
L1501		NQL144K-100X	COIL	10μH
L1502		NQL144K-100X	COIL	10μH
L2001		NQL144K-100X	COIL	10μH
L2002		NQL144K-100X	COIL	10μH
L2003		NQL144K-100X	COIL	10μH
L2004		NQL144K-100X	COIL	10μH
L2005		NQL144K-100X	COIL	10μH
L2006		NQL144K-100X	COIL	10μH
L2007		NQL144K-100X	COIL	10μH
L2008		NQL144K-100X	COIL	10μH
L2009		NQL024J-2R2X	COIL	2.2μH
L2010		NQL024J-100X	COIL	10μH
L2011		NQL024J-120X	COIL	12μH
L2015		NQR0276-001X	COIL	10μH
L3103		NQL144K-100X	COIL	10μH
L3104		NQL144K-100X	COIL	10μH
L3111		NQL024J-150X	COIL	15μH
L3131		NQL024J-150X	COIL	15μH
L3151		NQL144K-100X	COIL	10μH
L3531		NQL024J-120X	COIL	12μH
L3532		NQL024J-270X	COIL	27μH
L3533		NQL024J-120X	COIL	12μH
L3534		NQL024J-270X	COIL	27μH
L3701		NQL144K-100X	COIL	10μH
L3702		NQL144K-100X	COIL	10μH
LC1002		PELN1148-223X	NOISE FILTER	
LC1003		PELN1148-223X	NOISE FILTER	
LC1005		PELN1148-223X	NOISE FILTER	
LC3101		PELN0969-04Y	NOISE FILTER	
X1001		NAX0294-001X	RESONATOR	
X1002		NAX0005-001X	CRYSTAL RESONATOR	
X2001		NAX0141-001X	CRYSTAL RESONATOR	
X2003		NAX0206-001X	CRYSTAL RESONATOR	
X3101		NAX0218-001X	CRYSTAL RESONATOR	
K1001		NQR0129-002X	FERRITE BEAD	
K1011		NQR0129-002X	FERRITE BEAD	
K1012		NQR0129-002X	FERRITE BEAD	
K2001		NQR0129-002X	FERRITE BEAD	
K3101		NRSA63J-820X	MG RESISTOR	82Ω,1/16W
J2001		QNZ0097-001	D CONNECTOR,DV IN/OUT	
OT1		PU59915-105	#500SPACER0.01	
OT2		PU59915-105	#500SPACER0.01,C3102	
WR1101		YU40017-080-1	THIN WIRE	
CN1001		QGA2001F2-10V	CONNECTOR,(1-10)REG	
CN1002		QGF1016F2-06W	FFC/FPC CONNECTOR,(1-6)VHS MAIN	
CN1101		QGB0801L1-26X	CONNECTOR,(1-26)JIG	
CN1501		QGF0508F1-20X	FPC CONNECTOR,(1-20)PRE/REC	
CN1502		QGF0503C1-15V	FFC/FPC CONNECTOR,(1-15)MECHA	
CN2001		QGF0508F1-26X	FPC CONNECTOR,(1-26)DV PRE/REC	
CN3501		QGA2001F2-06V	CONNECTOR,(1-6)VIDEO	
CN3701		QGF1016F4-08W	FFC/FPC CONNECTOR,(1-8)AUDIO	

#	△ REF No.	PART No.	PART NAME, DESCRIPTION

LOADING MOTOR BOARD ASSEMBLY <55>

PW1	LPA10010-01A2	LOADING MOTOR BOARD ASSY
CN1	QGB2533K1-02	CONNECTOR

JOG BOARD ASSEMBLY <85>

PW6	LPA10126-01C6	JOG BOARD ASSY
UN7091	PEME0786-02	JOG SHUTTLE ASSY
B7094	QUY153-050Y	IM BUS WIRE
FW7007	QUM036-06A4A4	PARA RIBON WIRE